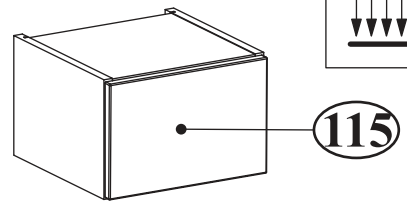
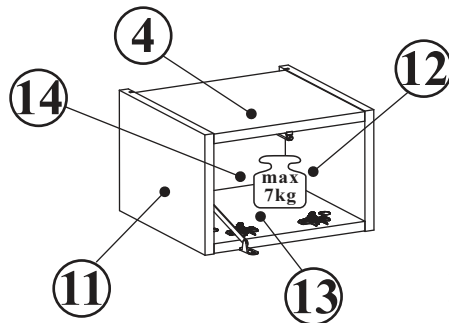
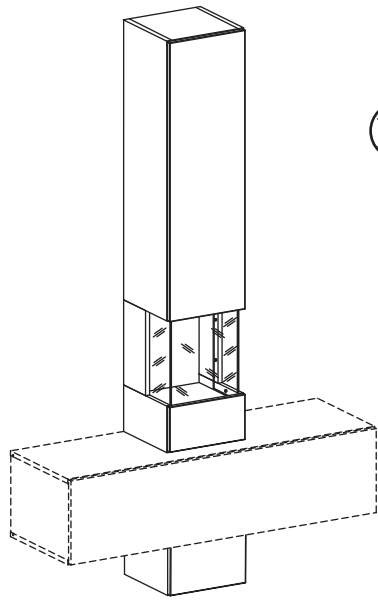
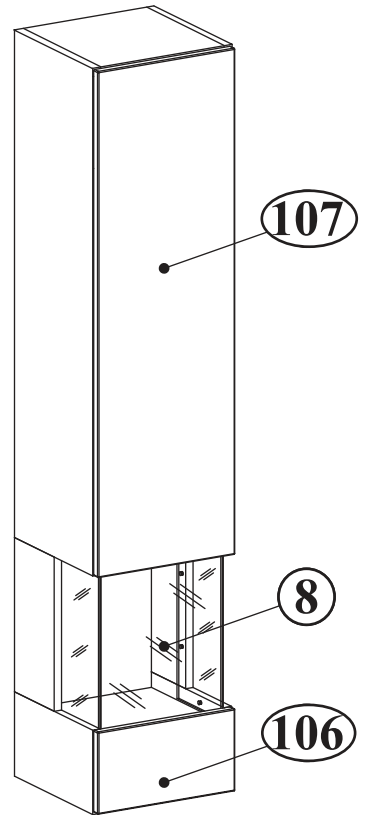
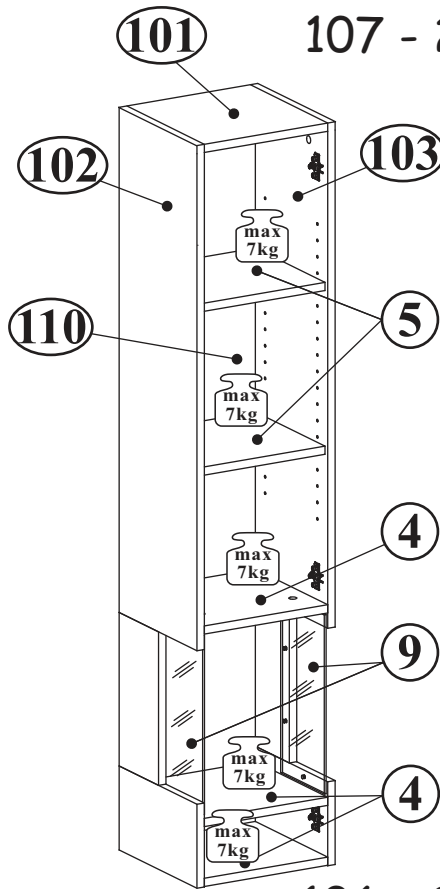
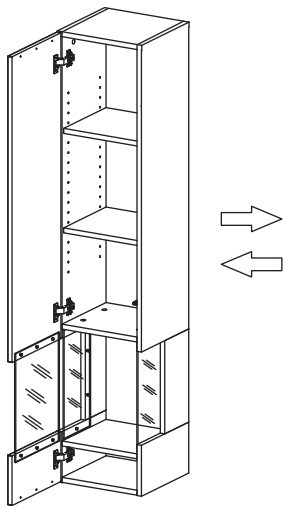


# SOMERO 28 \_\_ WSW1



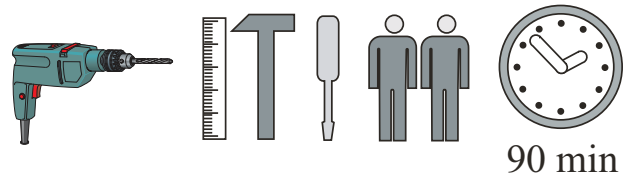
115 - 28 \*\* WS WS1-F

107 - 28 \*\* WS WS1-F

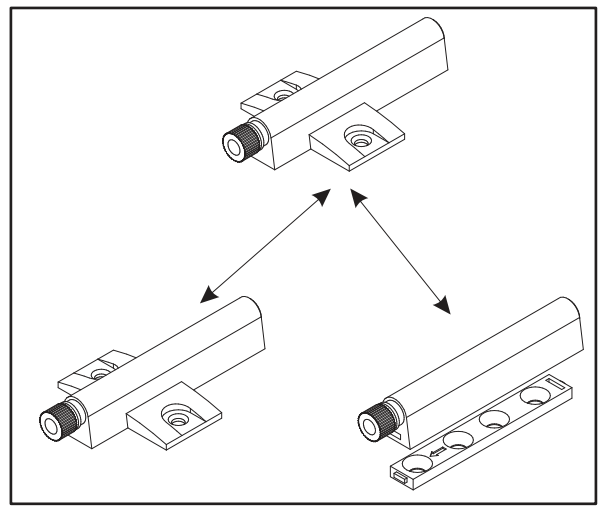
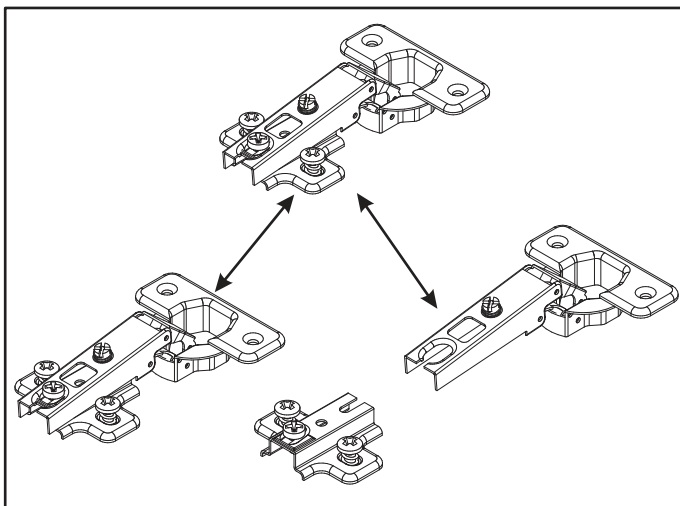
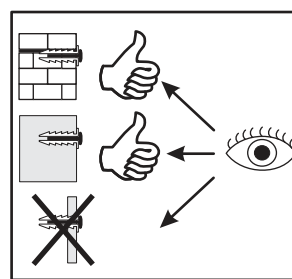
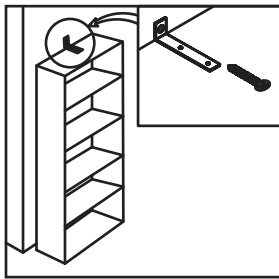
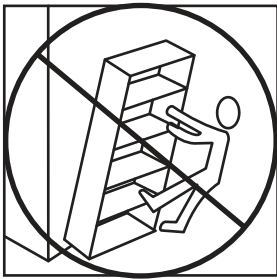
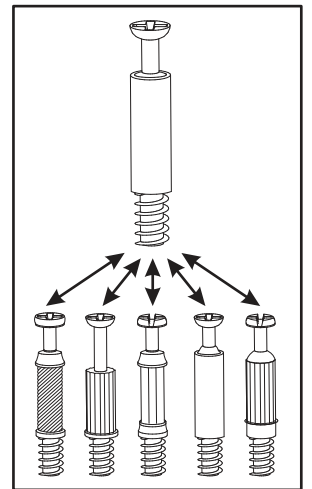
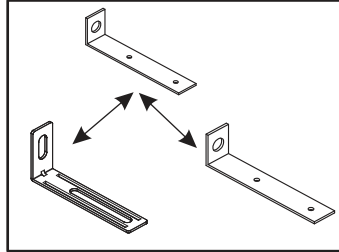
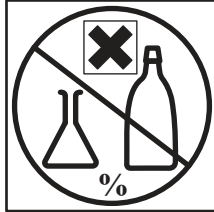
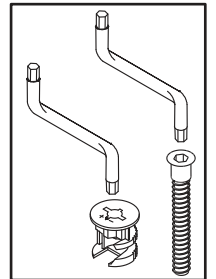
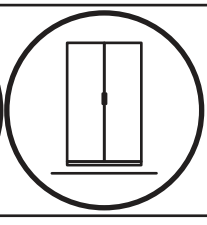
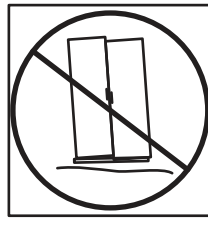
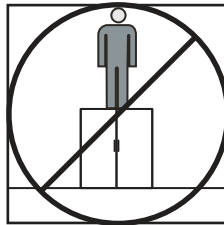
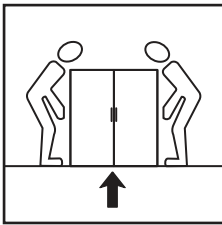
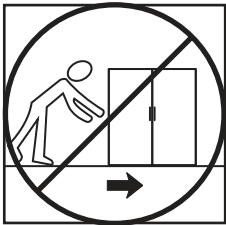
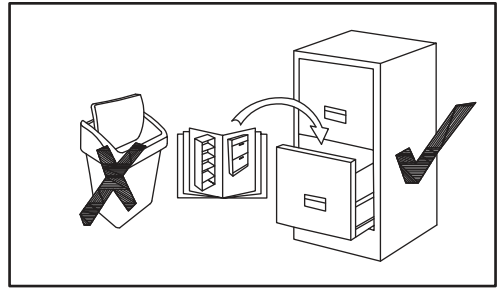
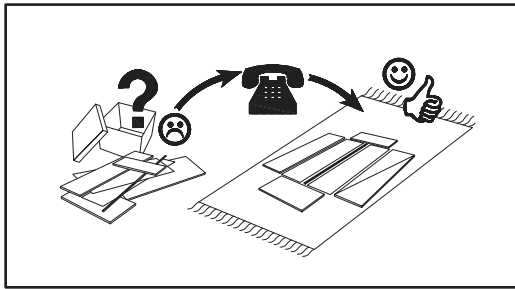
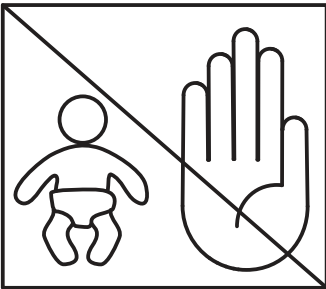
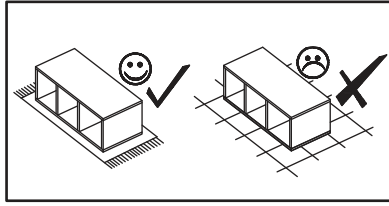
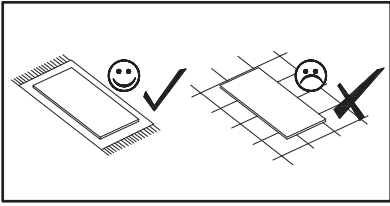


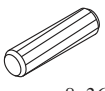
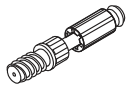


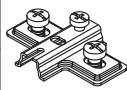
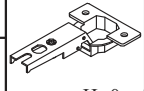

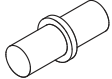
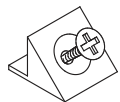
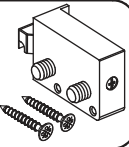
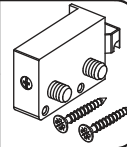

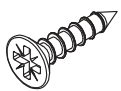

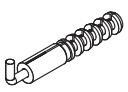

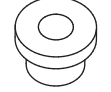
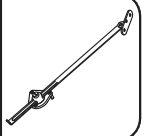

106 - 28 \*\* WS WS1-F

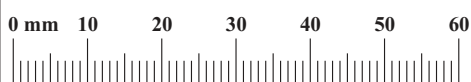
NO	Dim.			Col-No	Qty
101	268	286	16	1	1
102	1451	286	16	1	1
103	1451	286	16	1	1
4	268	266	16	1	4
5	268	256	16	1	2
106	298	160	16	2	1
107	298	985	16	2	1
8	350	264	4	1	1
9	350	160	4	1	2
110	1436	280	3	1	1
11	202	286	16	1	1
12	202	286	16	1	1
13	268	266	16	1	1
14	280	194	3	1	1
115	298	196	16	2	1



90 min

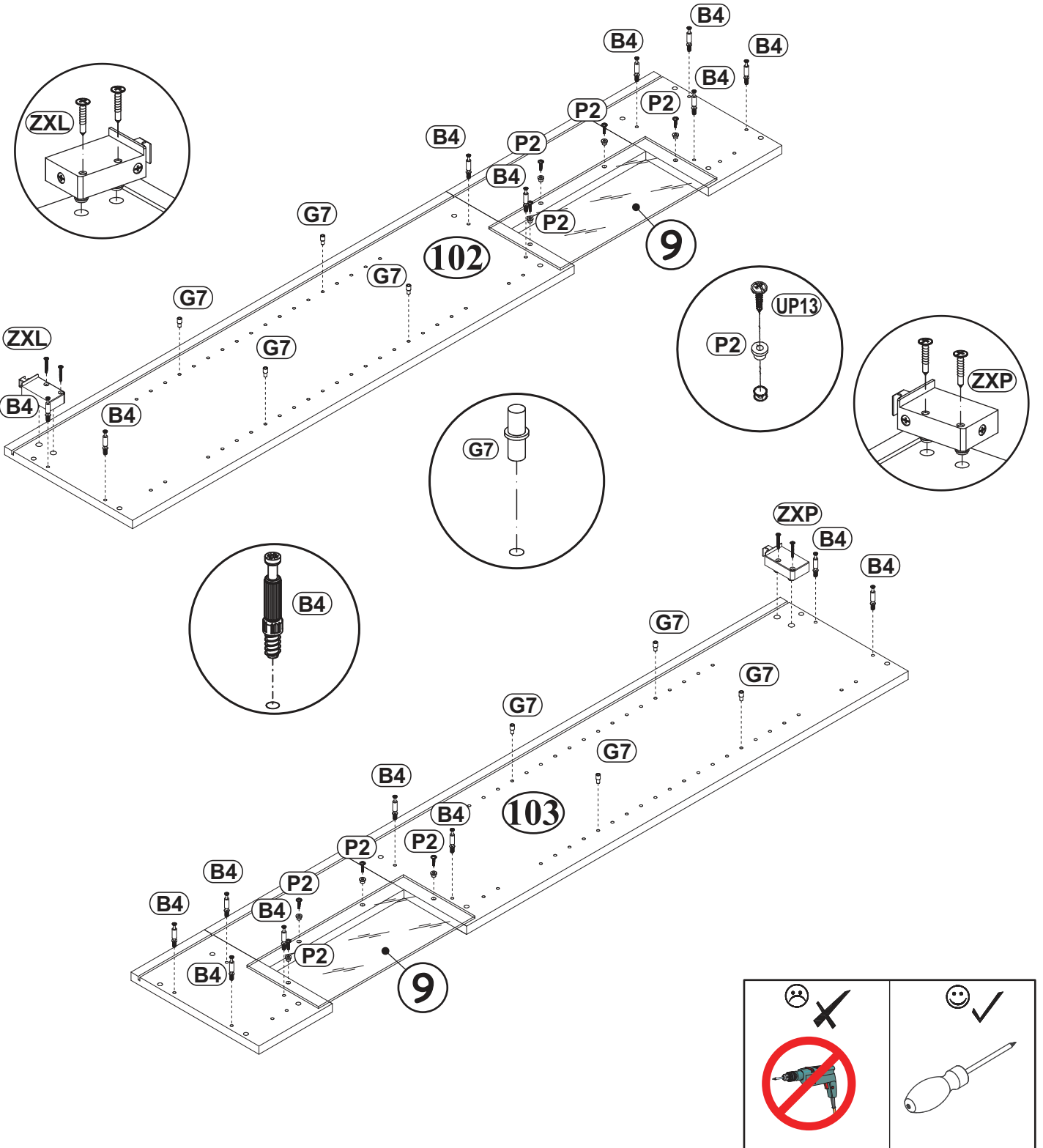
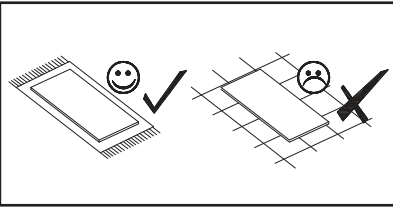
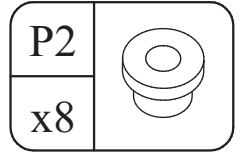
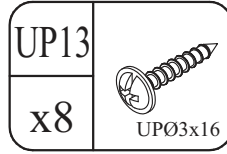
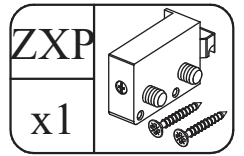
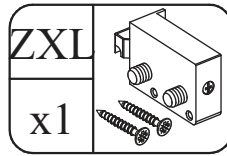
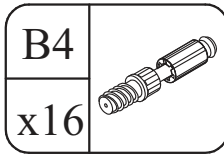
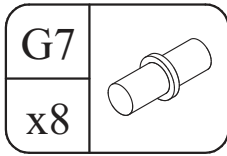



A1 x24  ø8x36	B4 x24 	B5 x24  ø15x12	G5 x24 	E2 x5  H=0	E1 x5  Ø26 H=0
T1 x2 	G7 x8 	S1 x13 	ZXL x2 	ZXP x2 	D10 x16  USØ3,5x13
D7 x3  USØ3x16	G2 x1 	KR2 x4 	UP13 x26  UPØ3x16	P2 x14 	G21 x1 
G9 x1 					

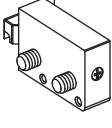


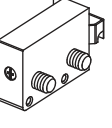
1

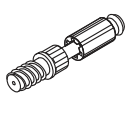
wuun.  
living




G21	
x1	

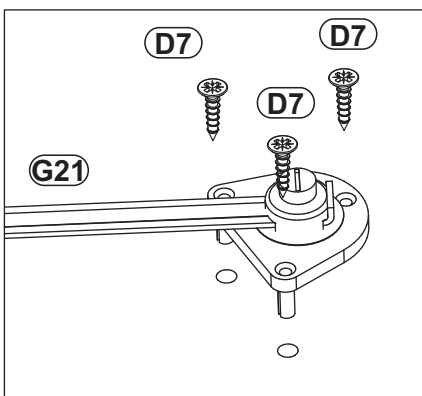
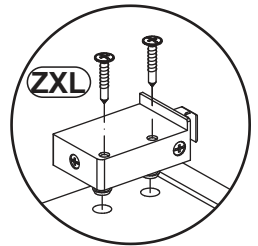
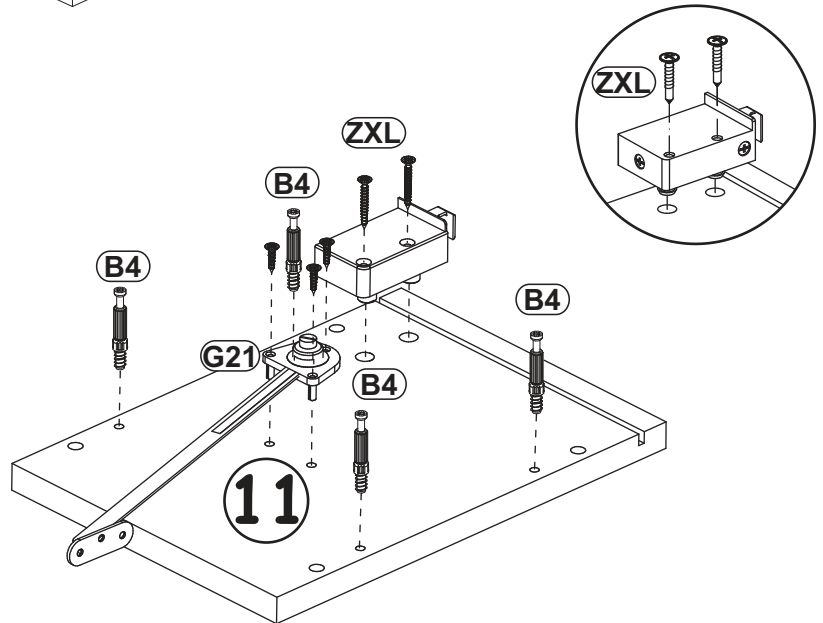
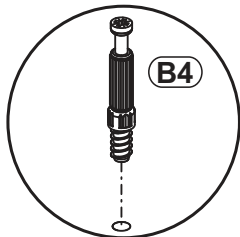
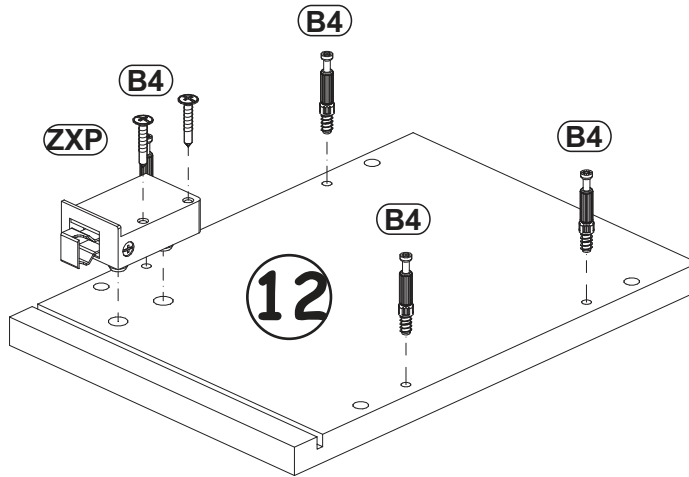
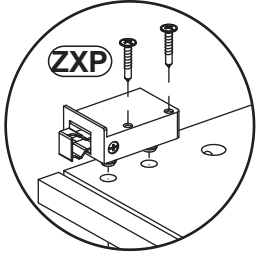
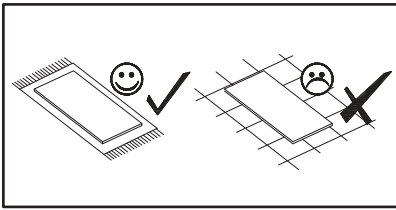
ZXL	
x1	

ZXP	
x1	

B4	
x8	

D7	
x3	USØ3x16

2



T1	
x1	

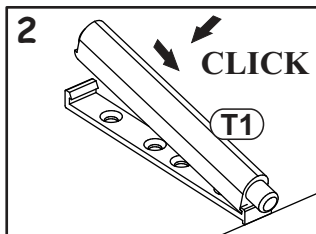
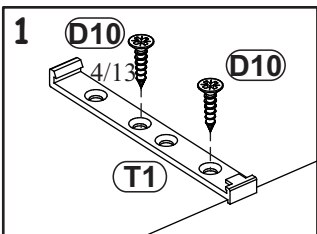
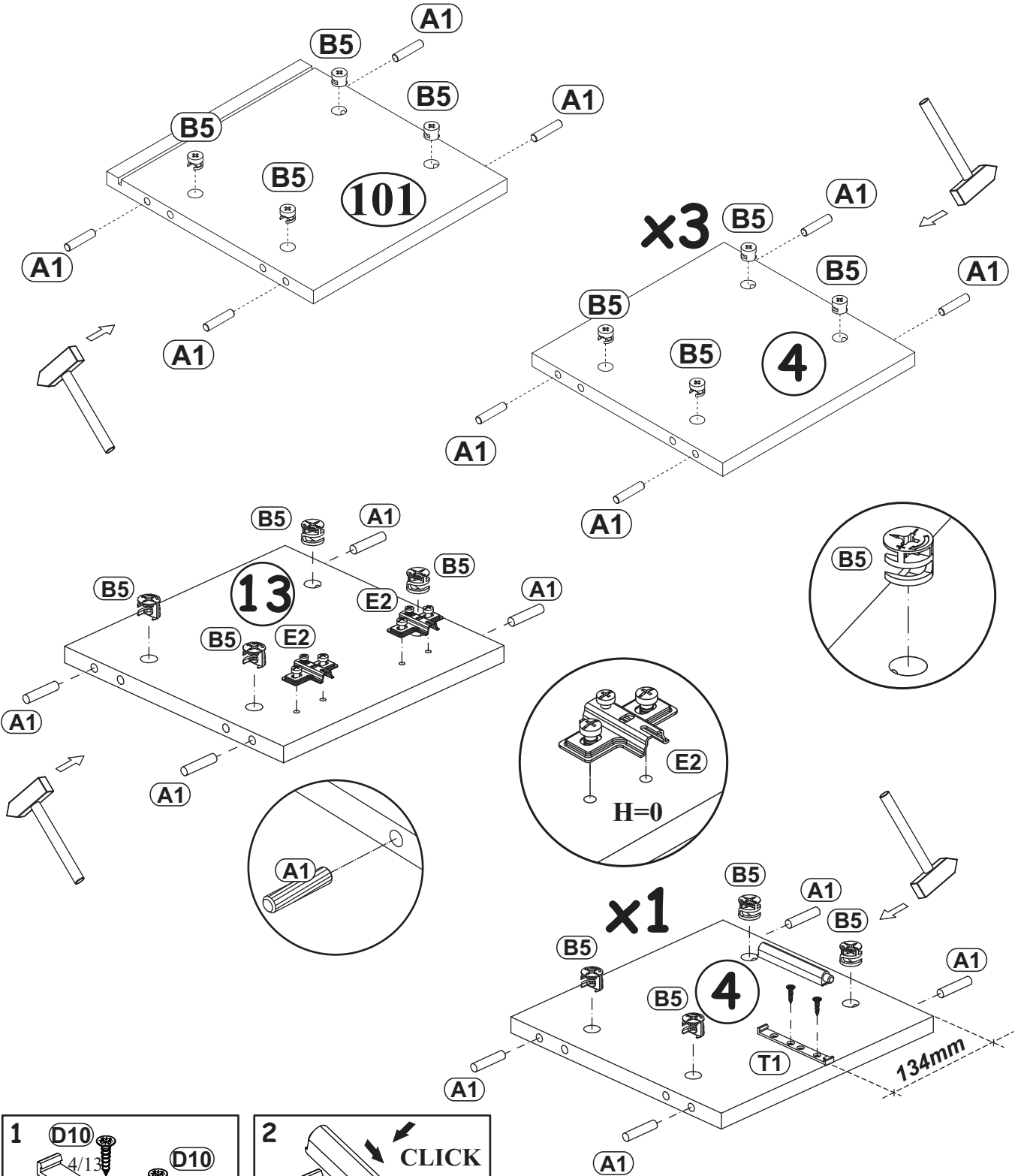
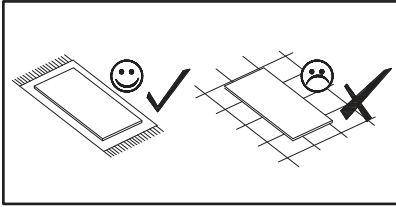
B5	
x24	ø15x12

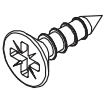
A1	
x24	ø8x36

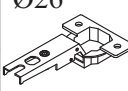
D10	
x2	USØ3,5x13

E2	
x2	H=0

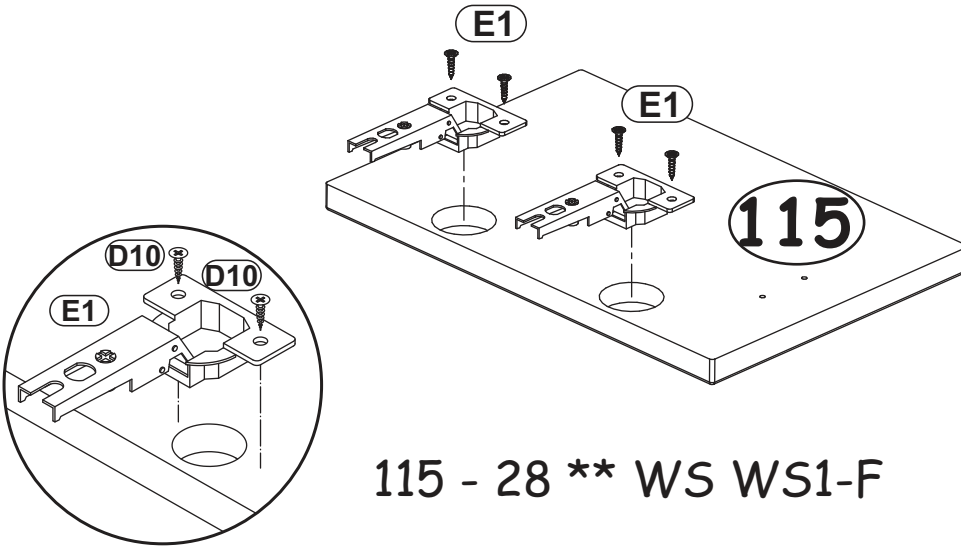
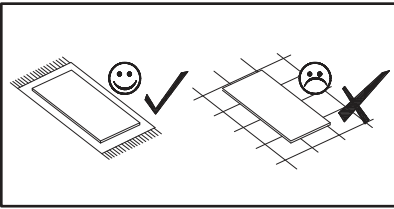
3



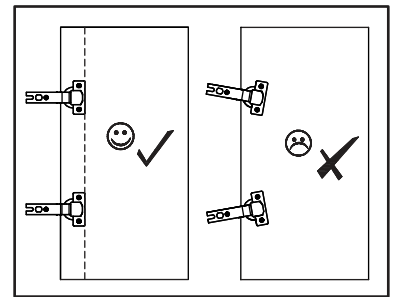
D10	 USØ3,5x13
X4	

E1	 Ø26 H=0
x2	


4

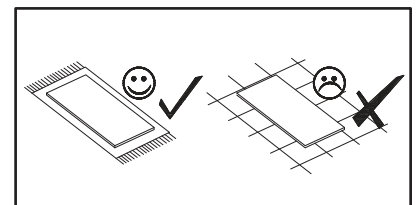
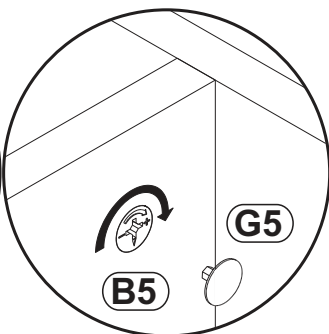
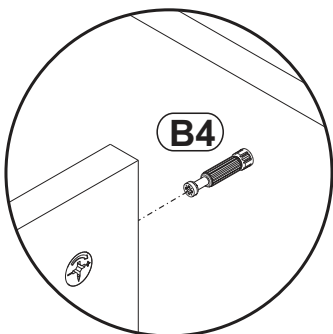
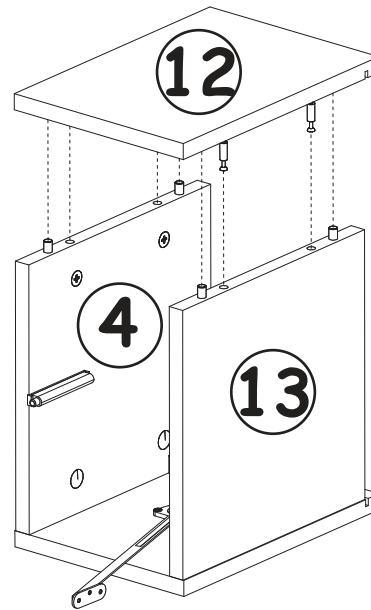
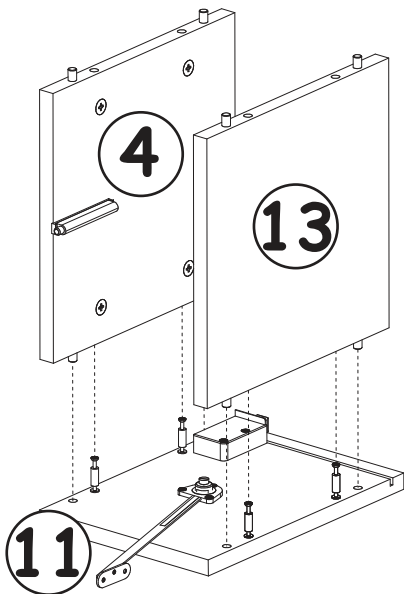


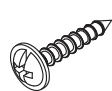
115 - 28 \*\* WS WS1-F

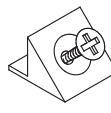


5

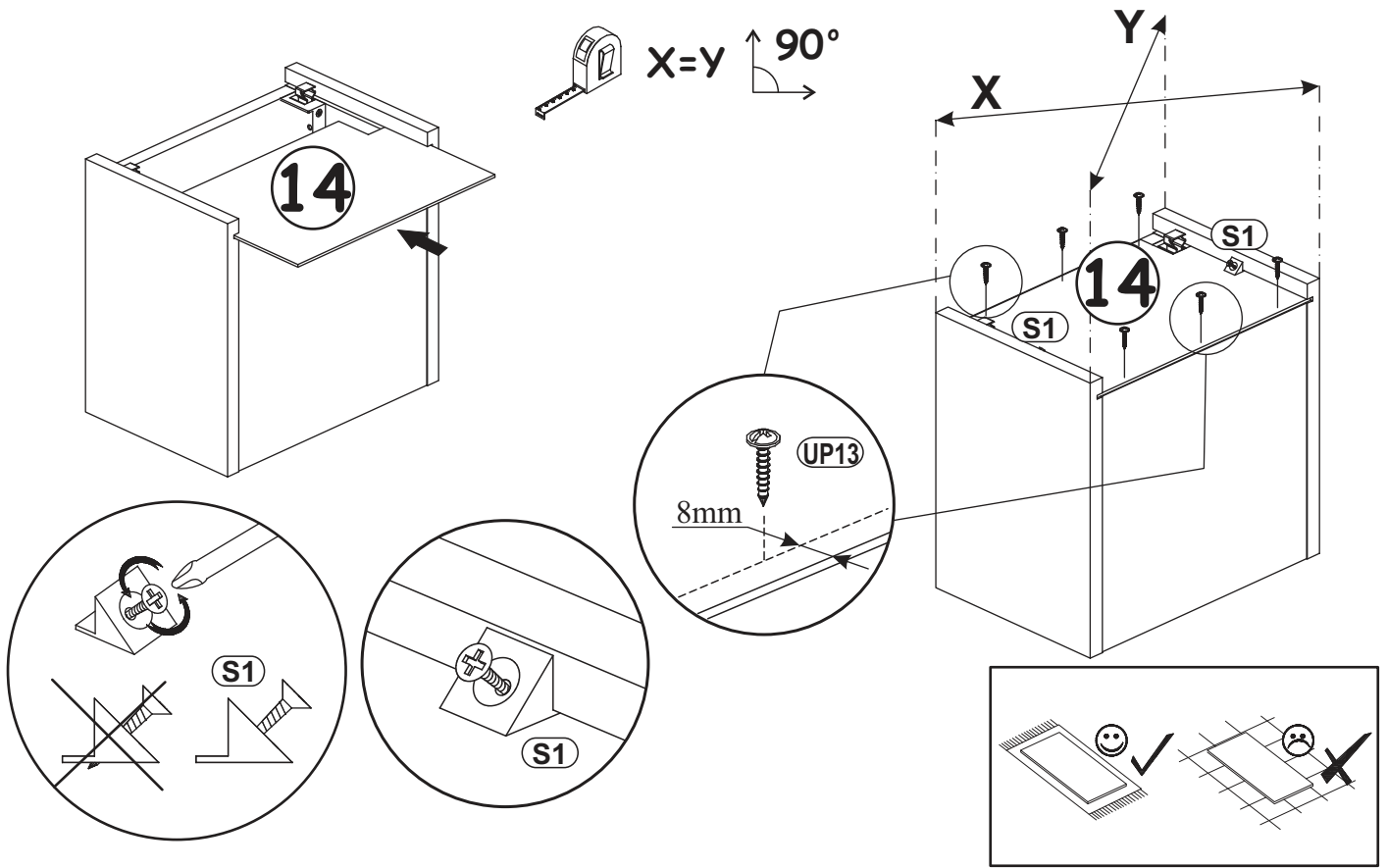
G5	
x8	



UP13	
x6	UPØ3x16

S1	
x2	

6



**14**

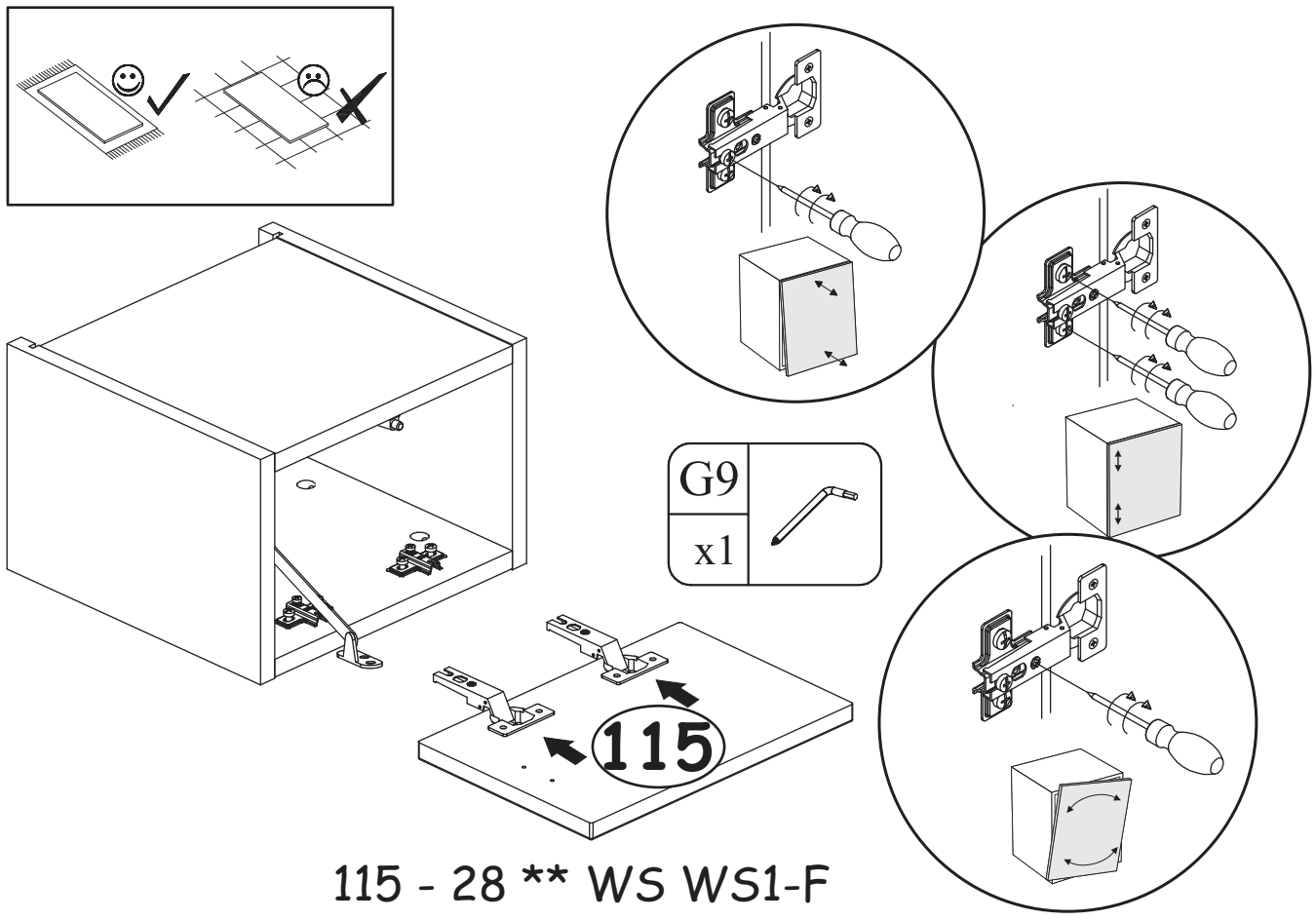
X=Y 90°

**UP13**

8mm

**S1**

7




**G9**

x1

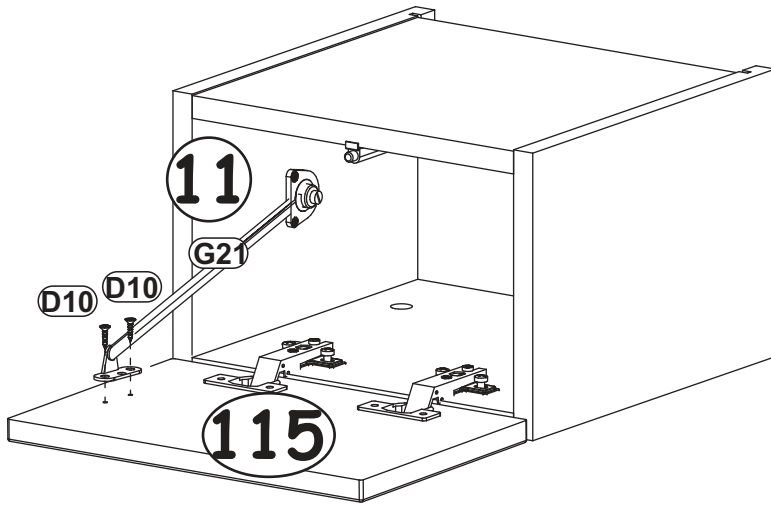
**115**

115 - 28 \*\* WS WS1-F

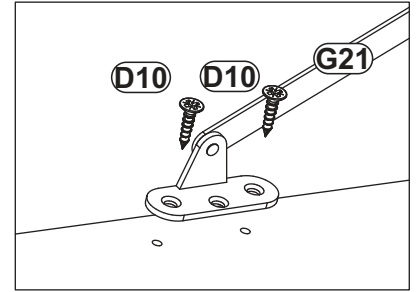
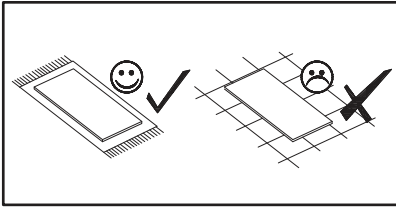


D10	 USØ3,5x13
x2	

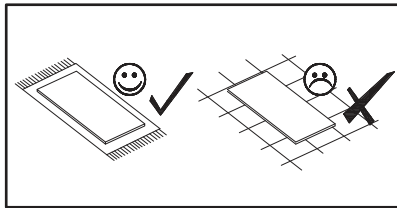
8




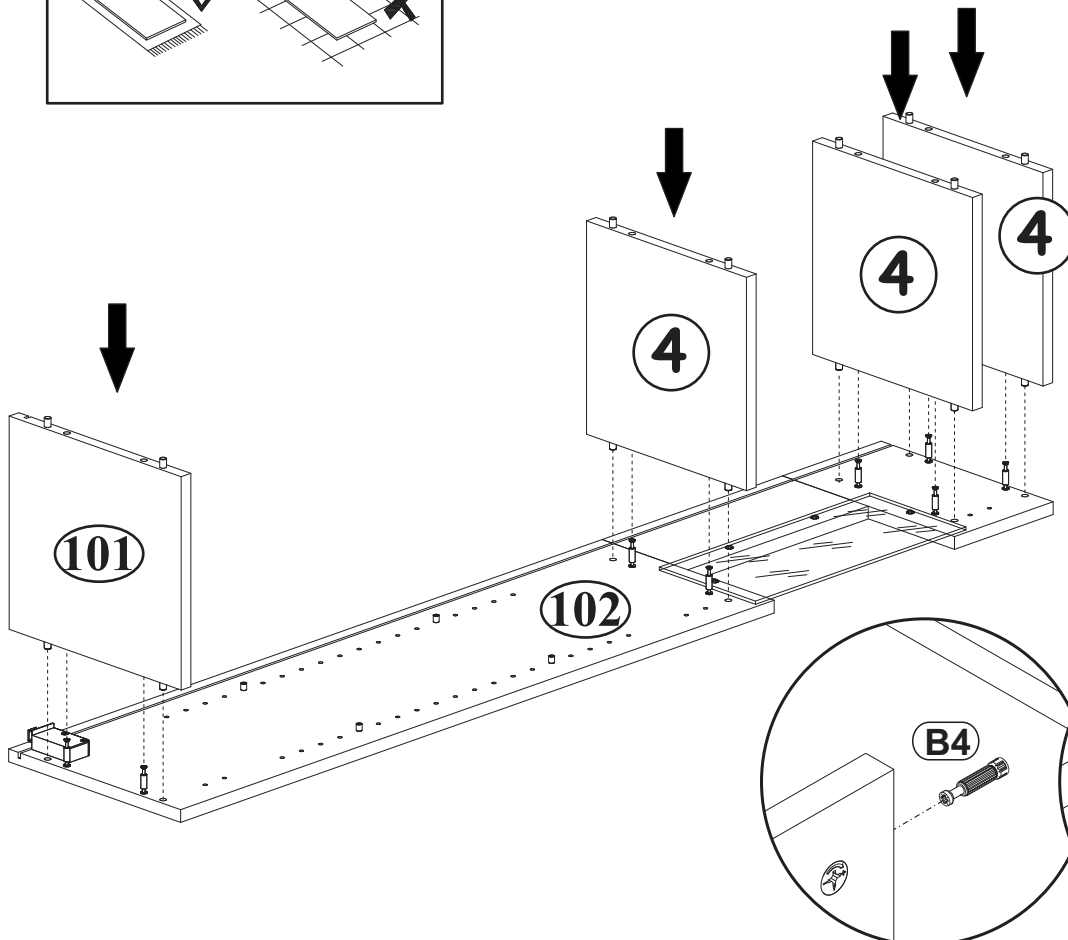
115 - 28 \*\* WS WS1-F



9

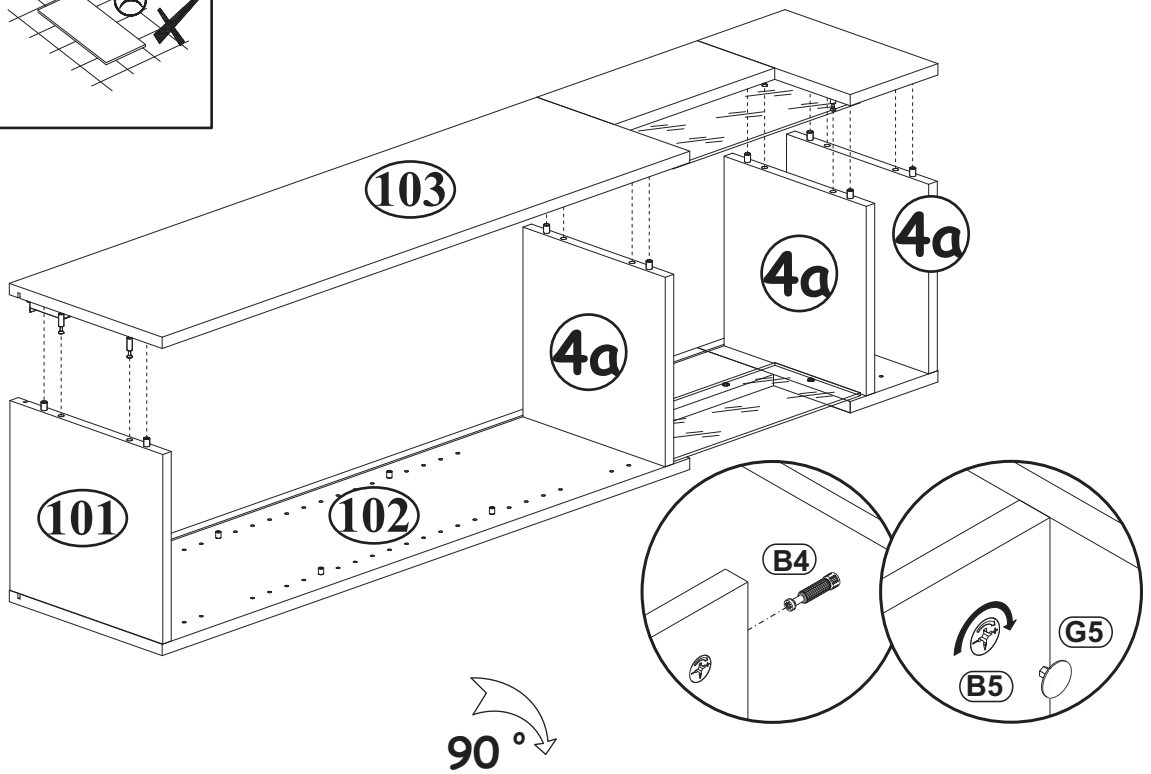
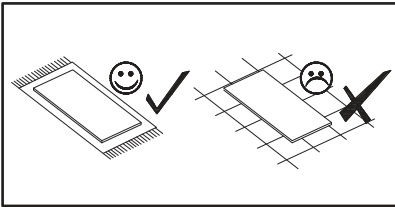


G5	
x8	

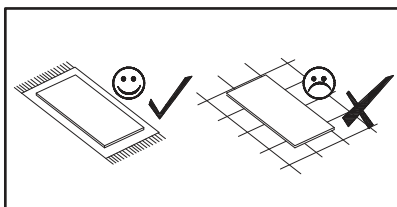
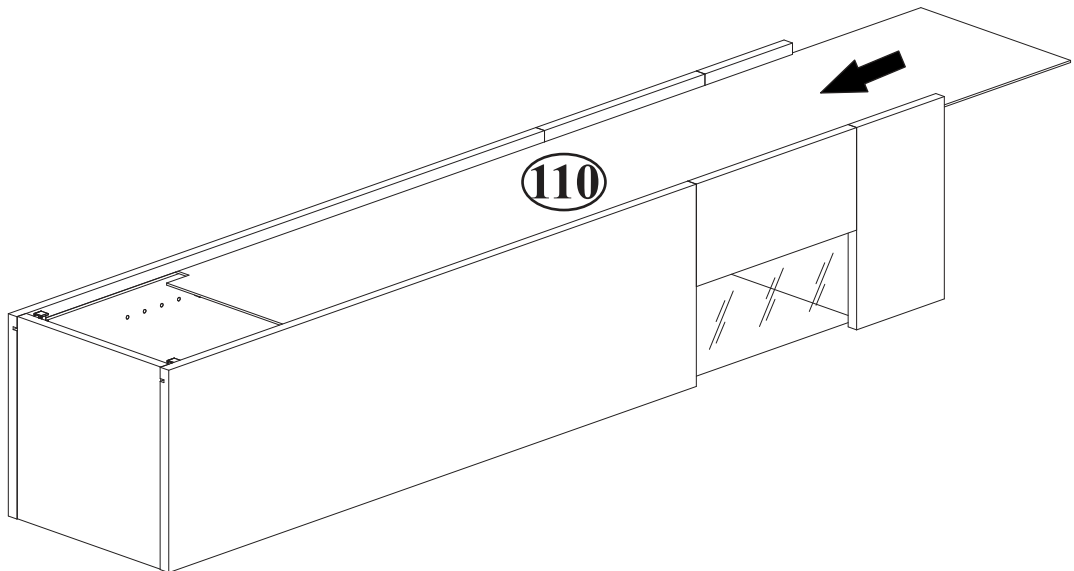


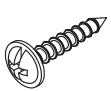
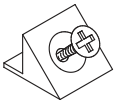


10

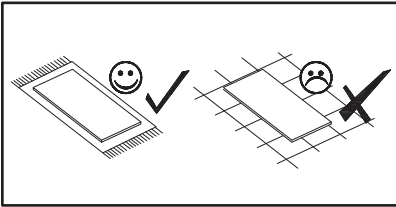


11

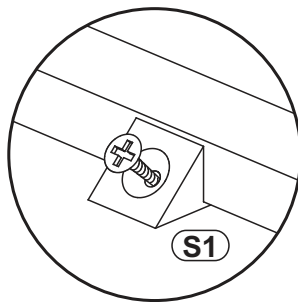
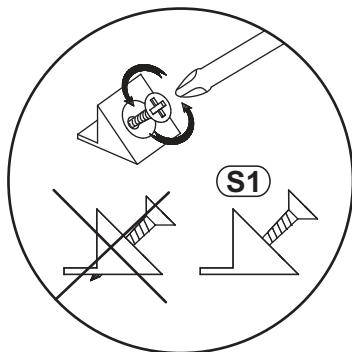
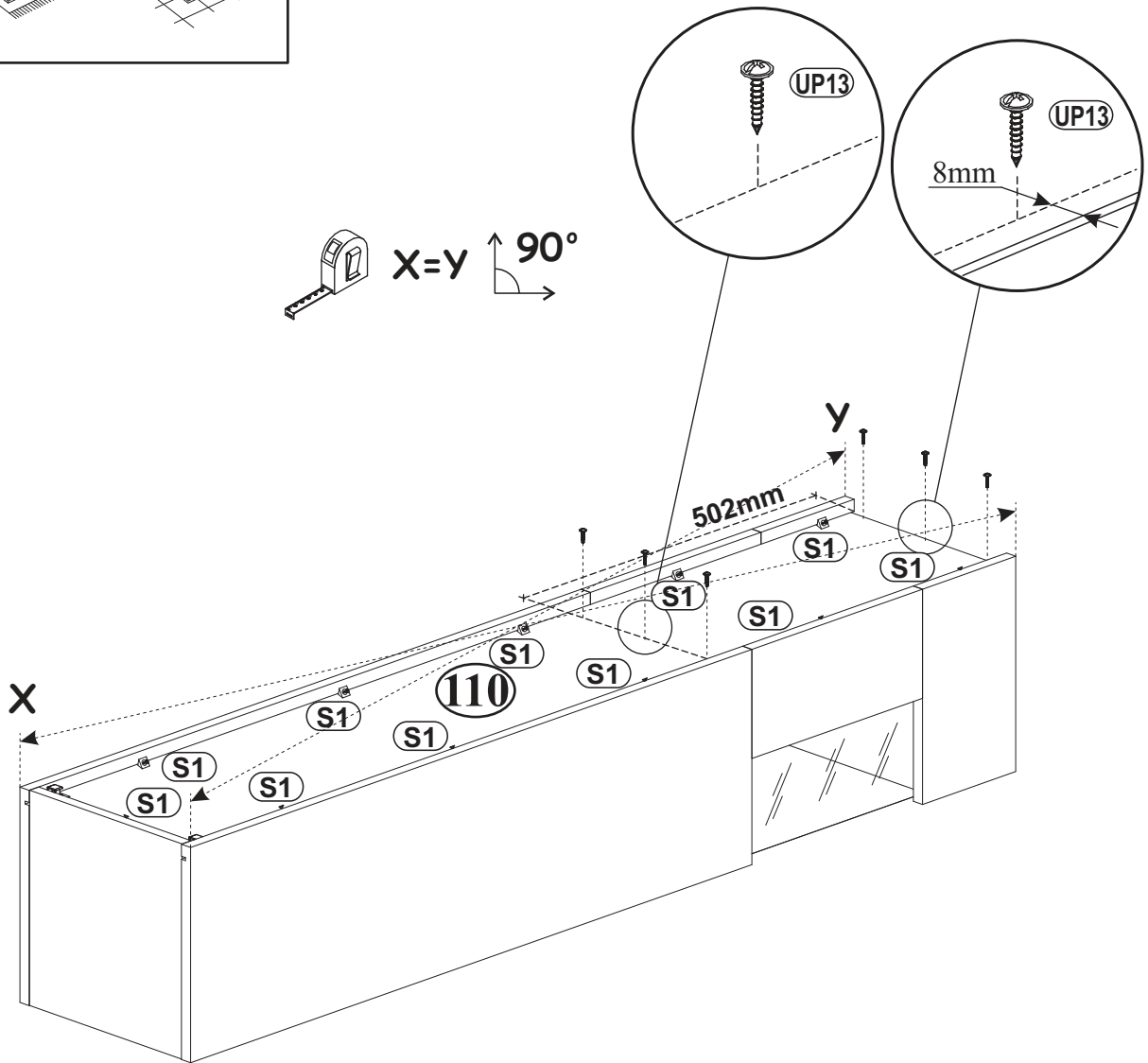


UP13		S1	
x6	UPØ3x16	x11	

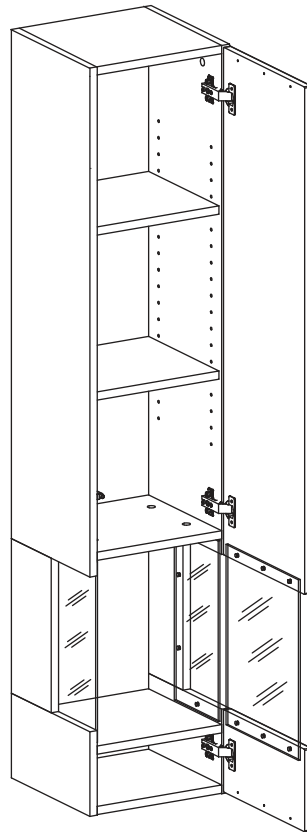
12



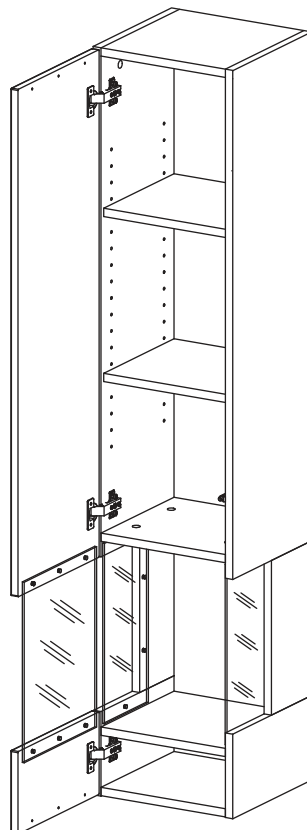
wuun.  
living



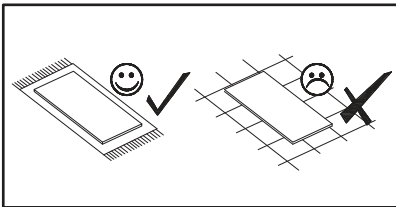
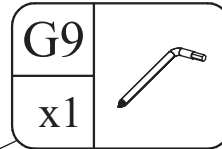
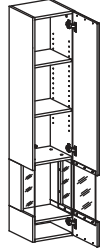
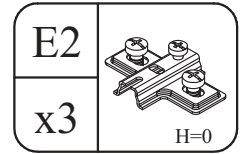
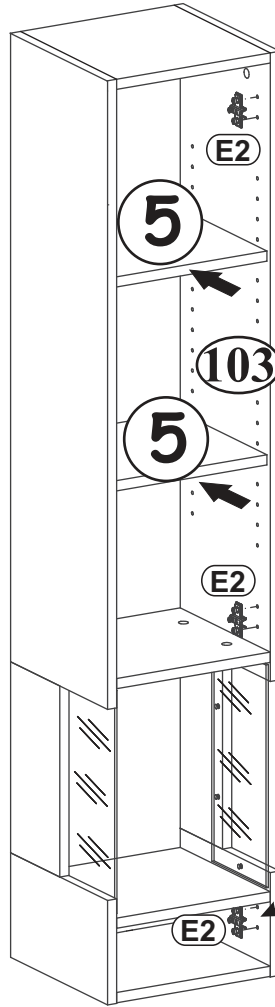
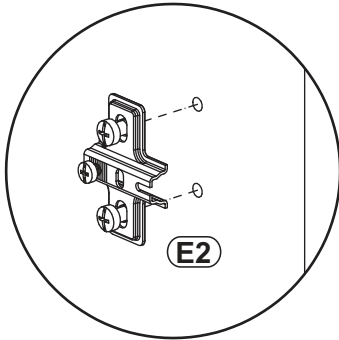
**13-15**



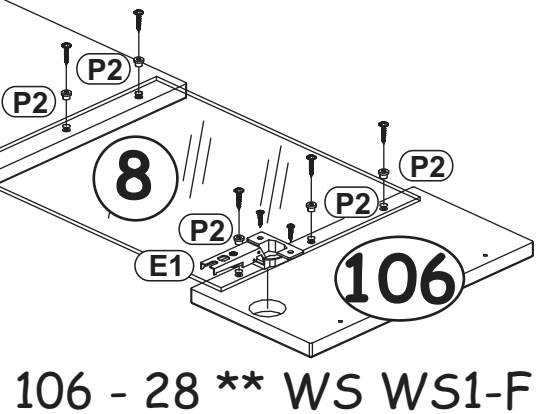
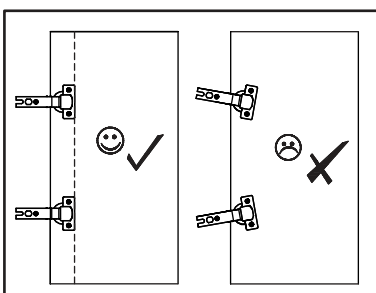
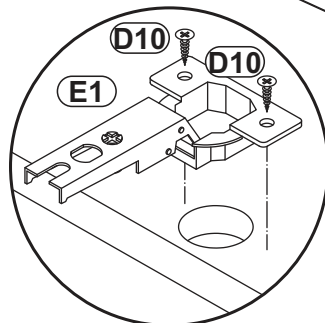
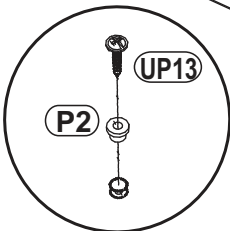
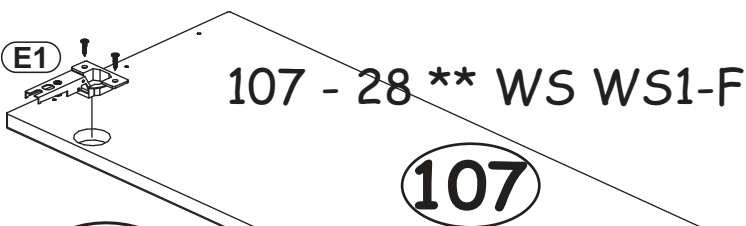
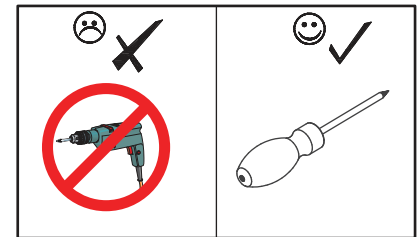
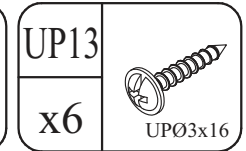
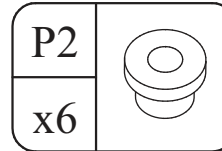
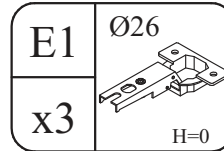
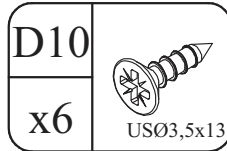
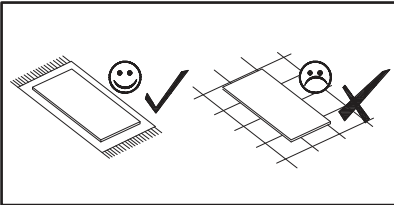
**16-18**





13

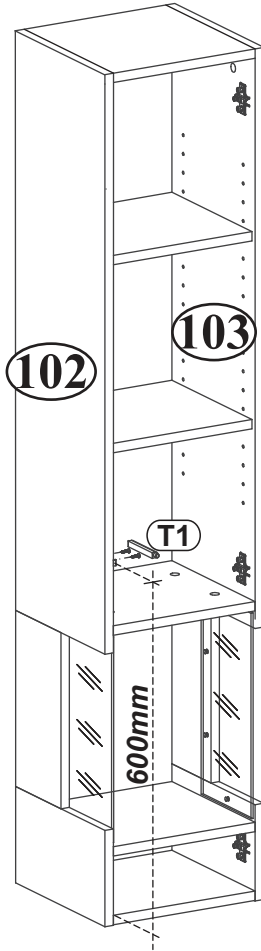
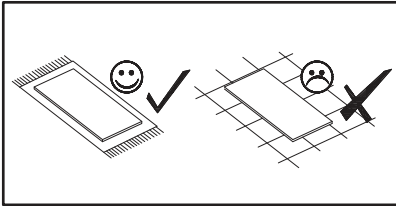
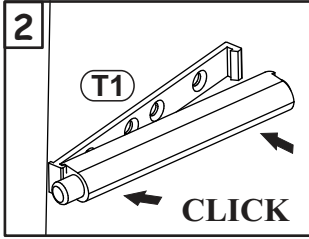
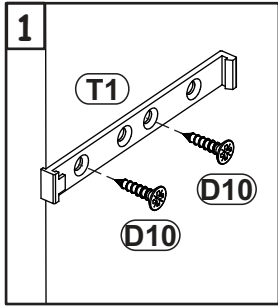


14

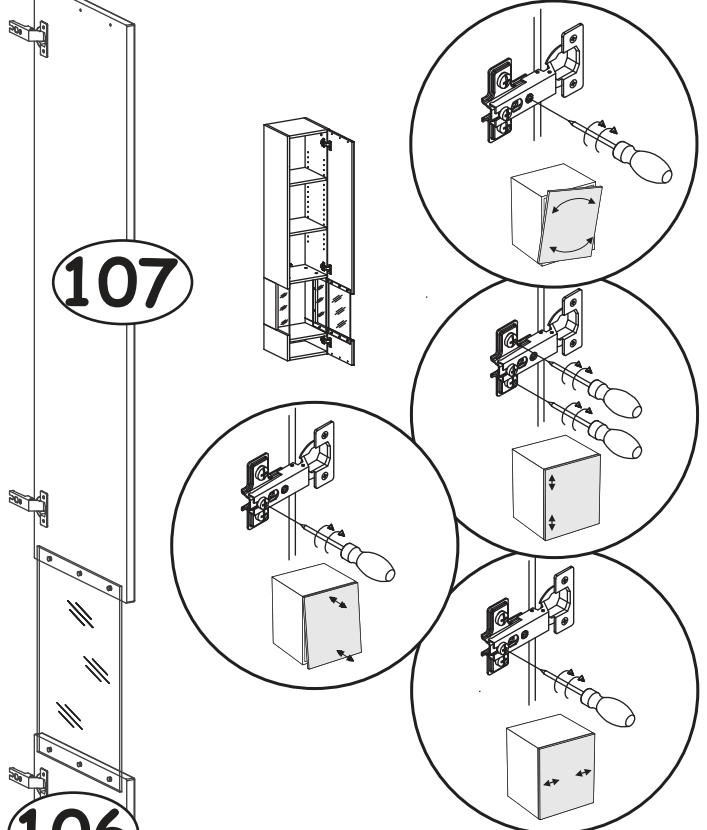


D10		T1	
x2	USØ3,5x13	x1	

15

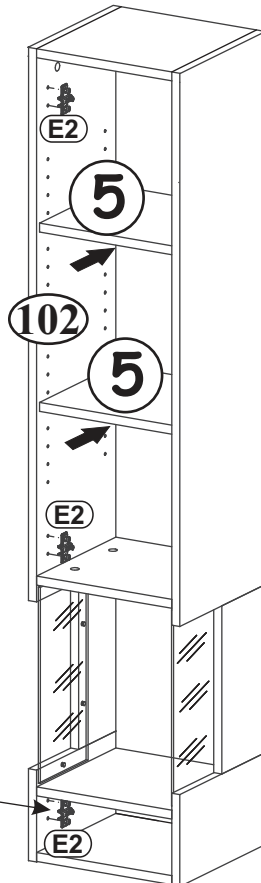
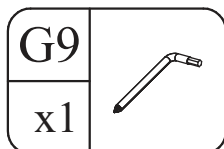
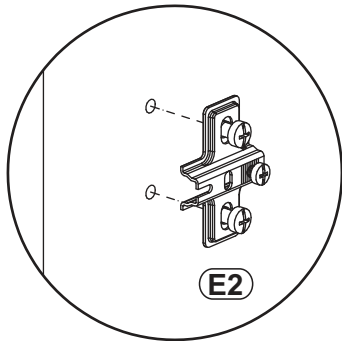


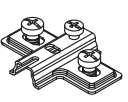
107 - 28 \*\* WS WS1-F

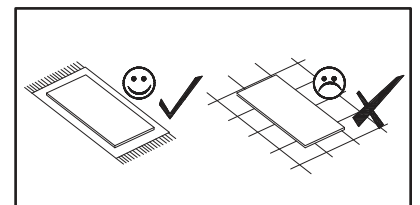
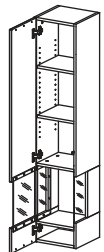


106 - 28 \*\* WS WS1-F

16


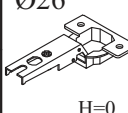




E2	
x3	H=0

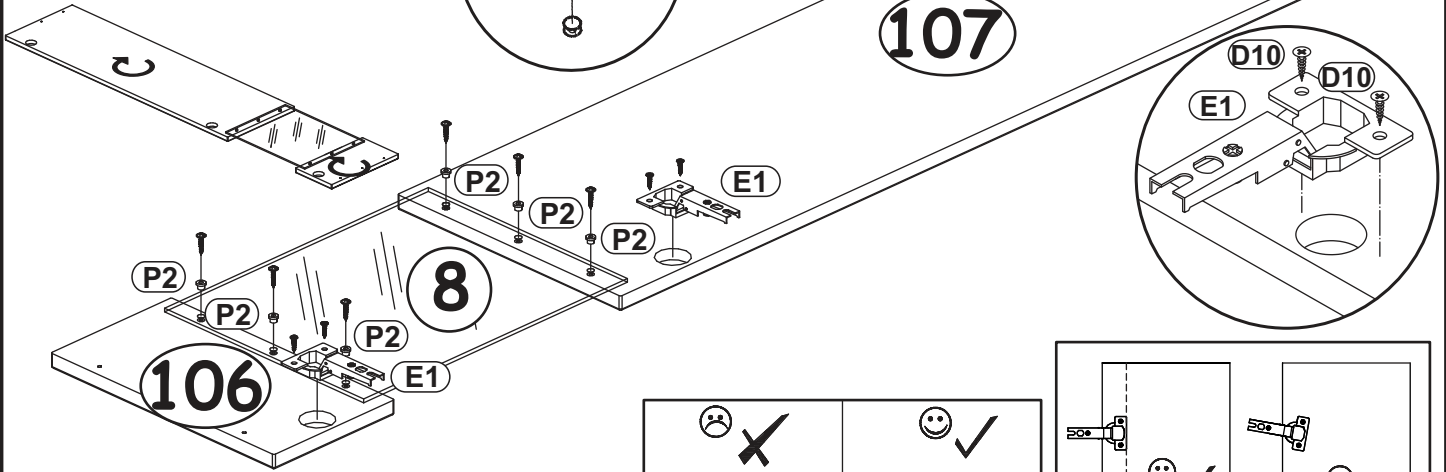
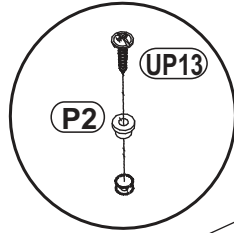
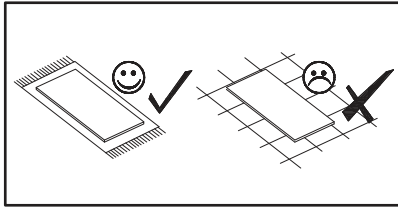


17

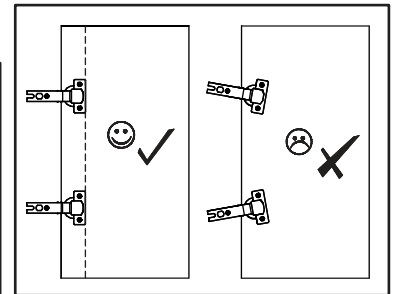
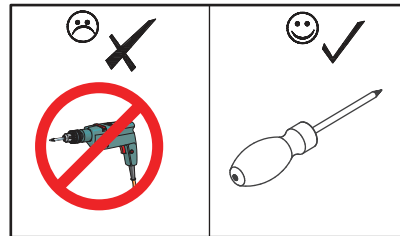
wuun.  
living

D10		E1		P2		UP13	
x6	USØ3,5x13	x3	H=0	x6		x6	UPØ3x16

107 - 28 \*\* WS WS1-F


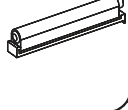


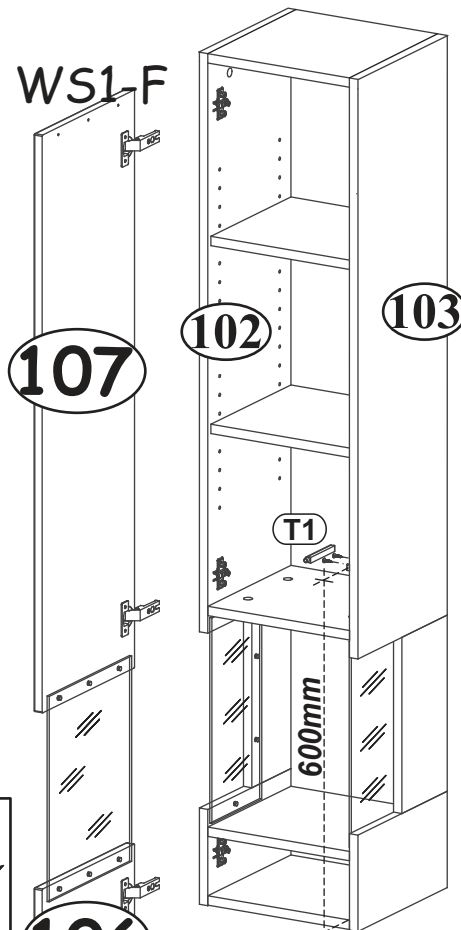
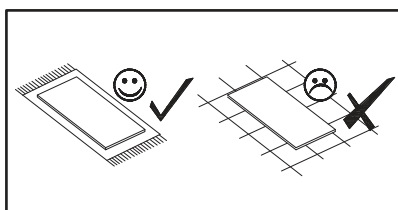
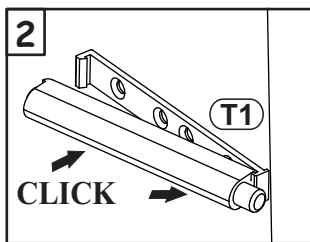
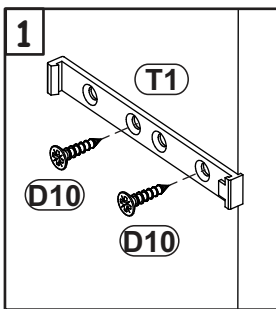
106 - 28 \*\* WS WS1-F



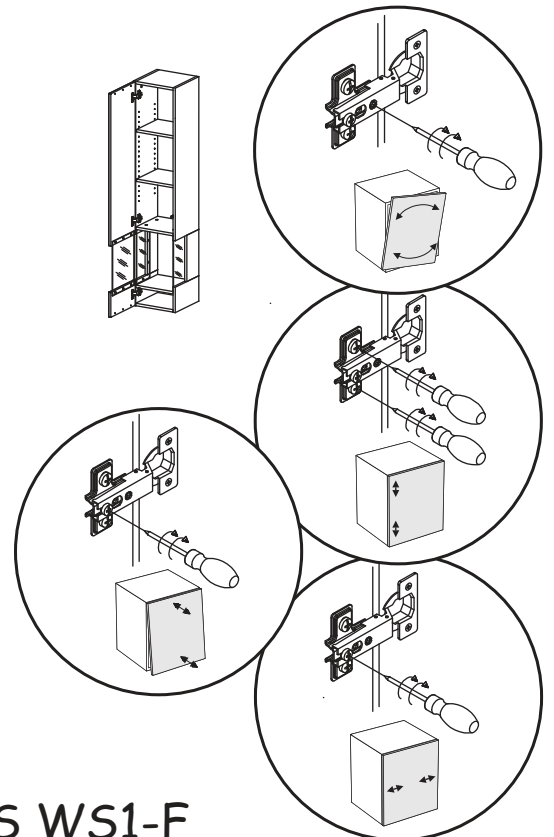
18

107 - 28 \*\* WS WS1-F

D10		T1	
x2	USØ3,5x13	x1	



106 - 28 \*\* WS WS1-F



19

