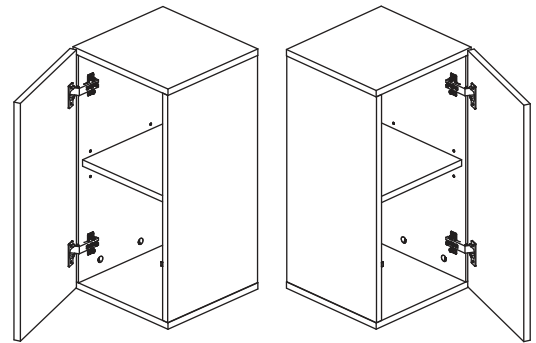
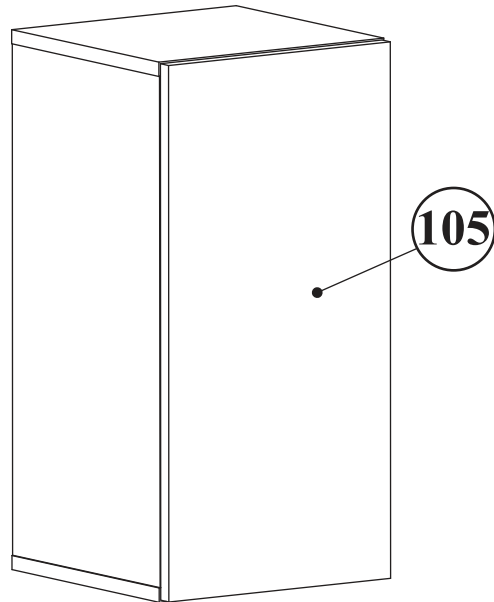
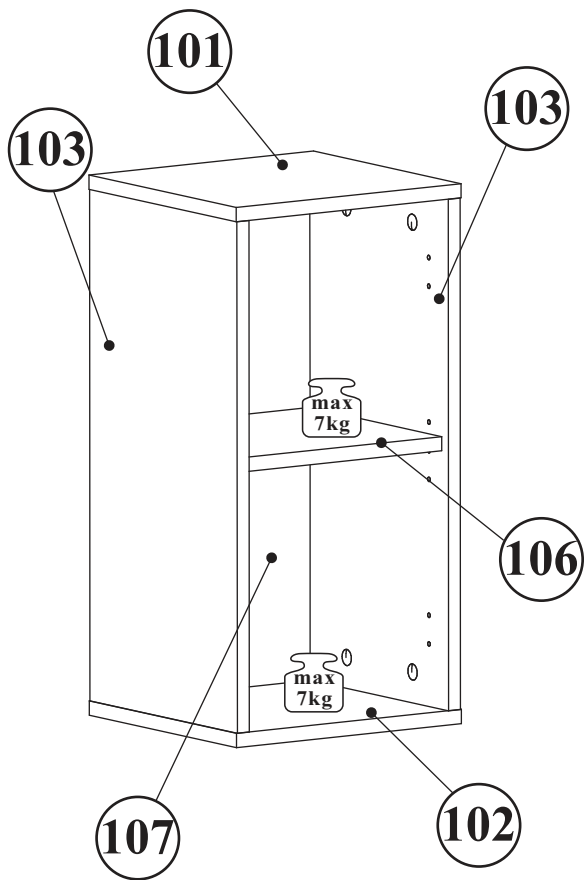
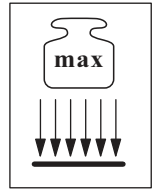
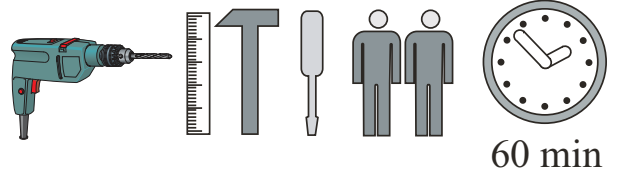


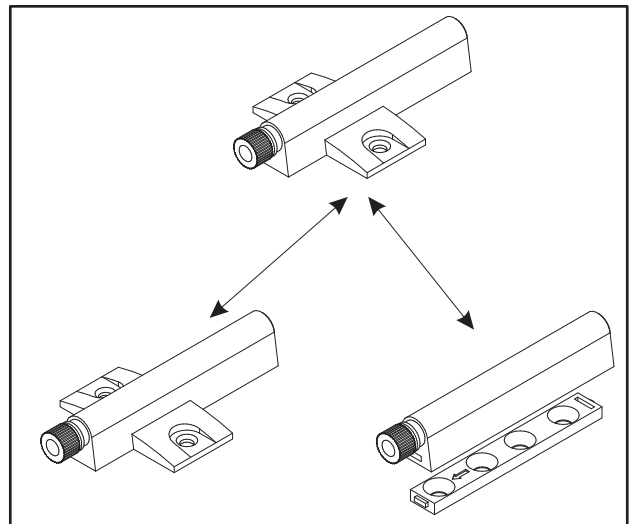
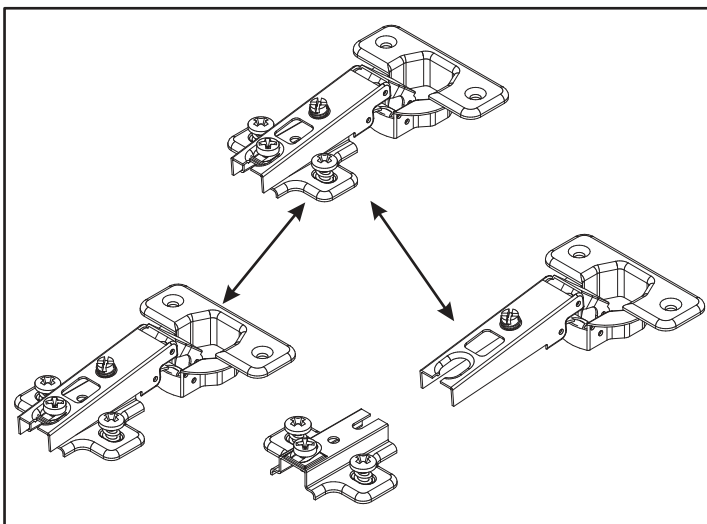
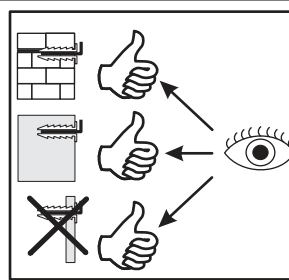
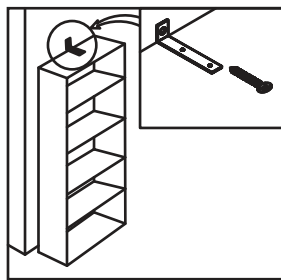
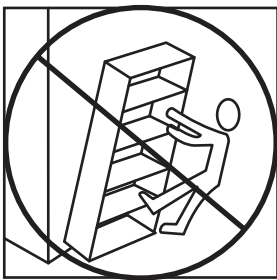
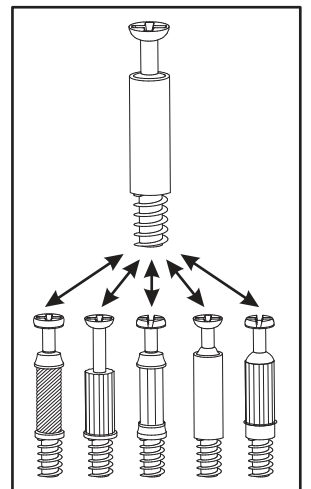
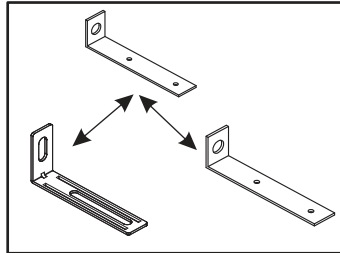
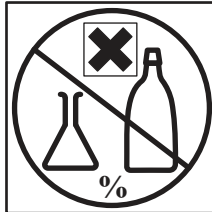
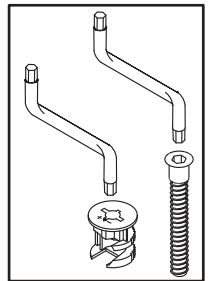
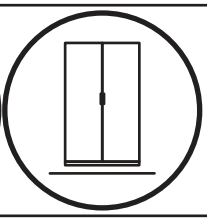
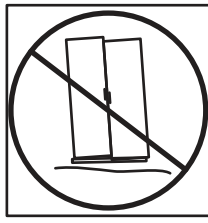
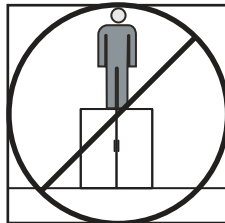
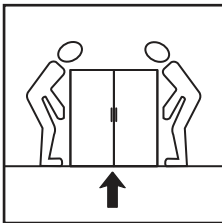
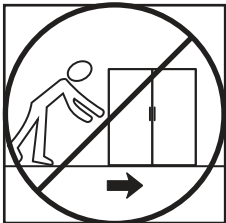
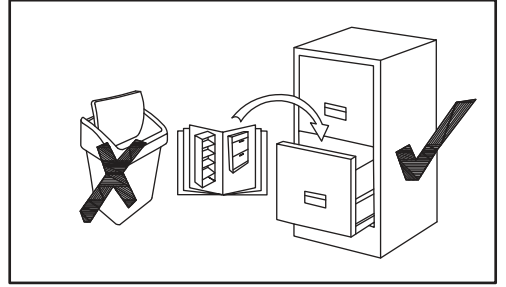
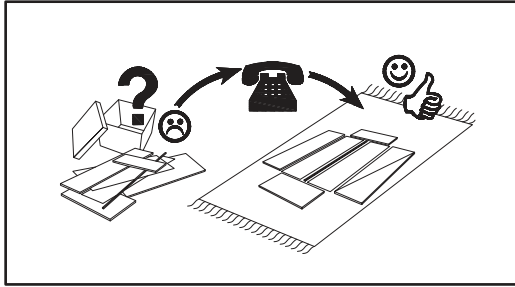
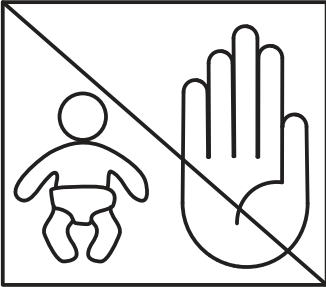
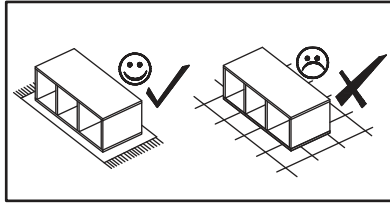
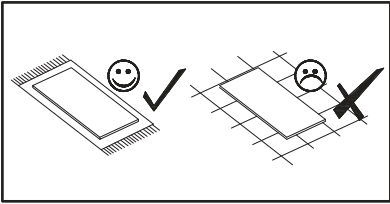
SOMERO 28 __ WS SPW2



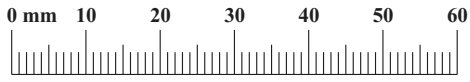
105 - 28 ** WS WS6-F

NO	DIM.			COL-NO	QTY
101	302	286	16	1	1
102	302	286	16	1	1
103	572	286	16	1	2
105	298	600	16	2	1
106	268	256	16	1	1
107	572	268	16	1	1

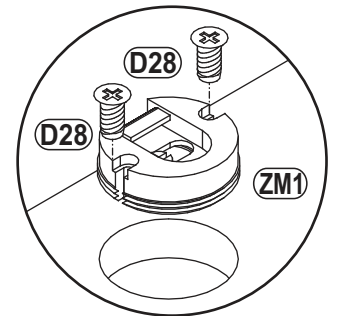
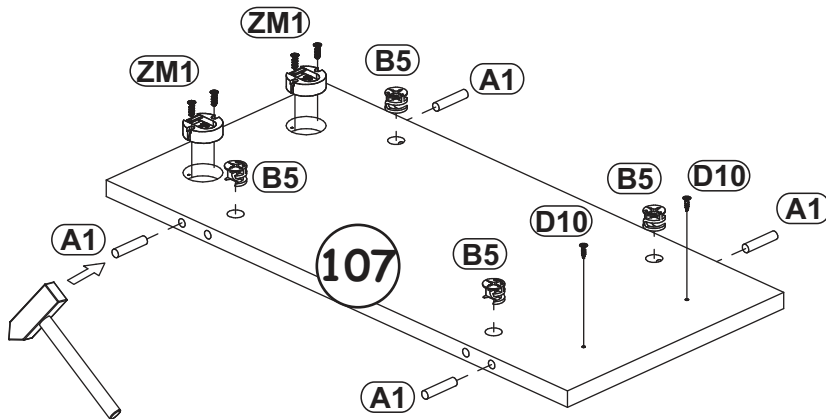
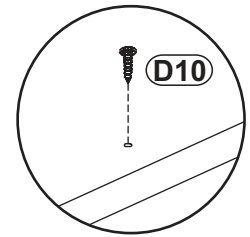
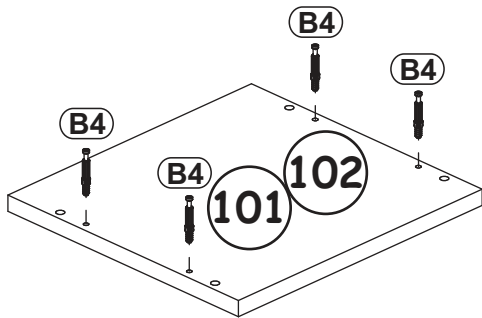
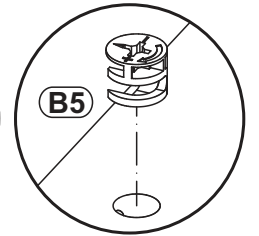
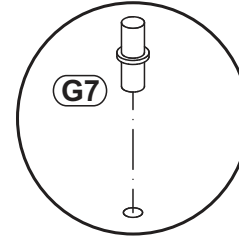
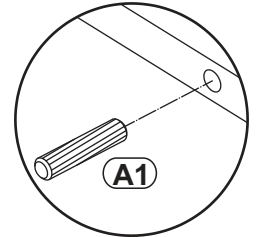
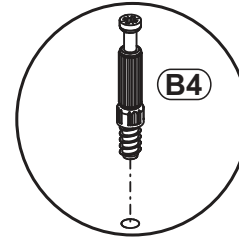
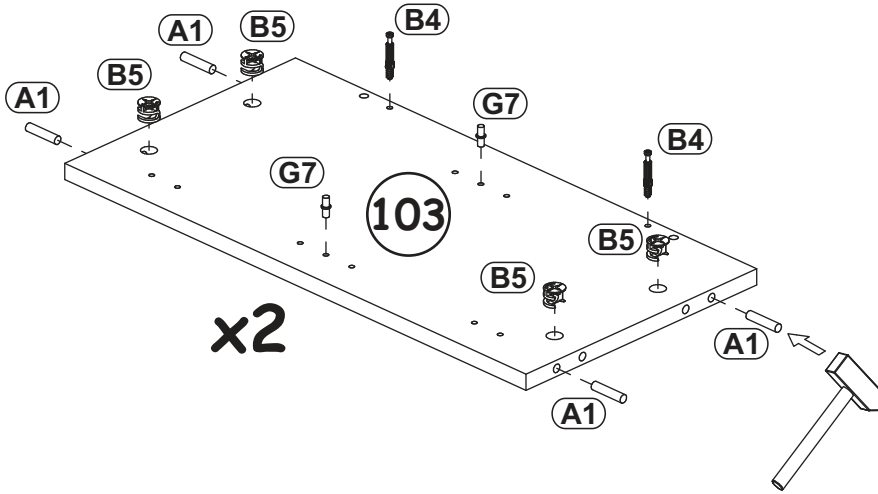
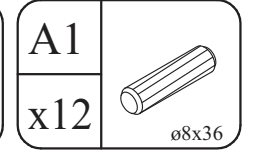
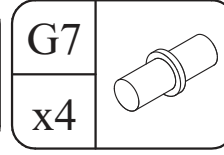
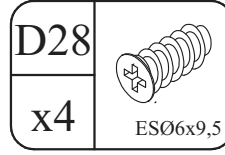
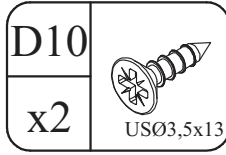
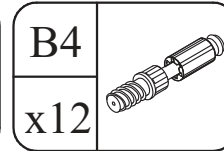
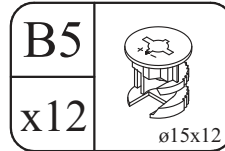
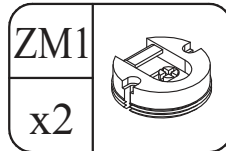
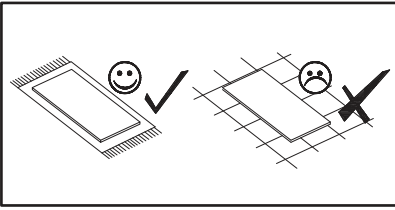




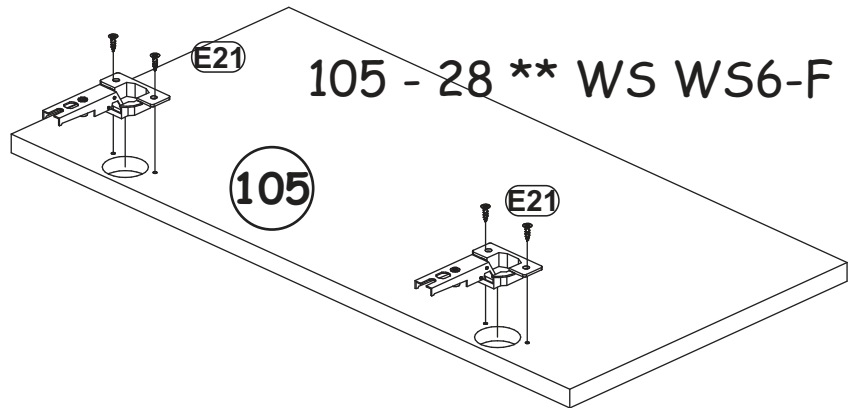
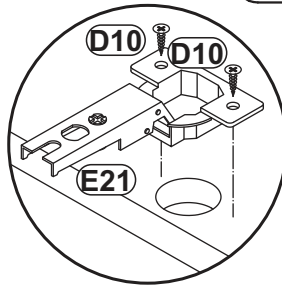
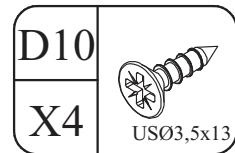
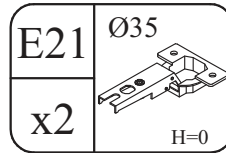
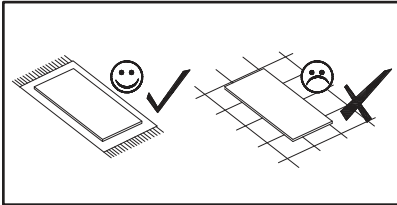
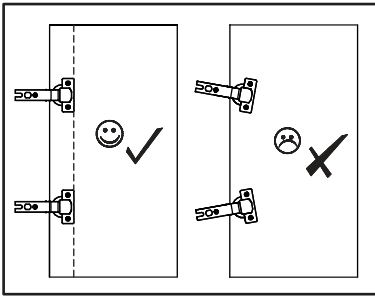
A1 x12 ø8x36	B4 x12	B5 x12 ø15x12	G5 x12	ZM1 x2	D28 x4 ESØ6x9,5
D10 x8 USØ3,5x13	G2 x1	KR2 x2	P3 x2	E21 x2 Ø35 H=0	E2 x2 H=0
T1 x1	G7 x4				



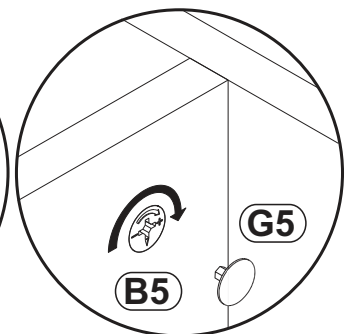
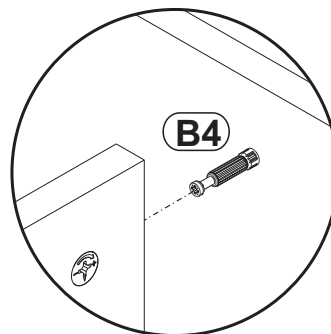
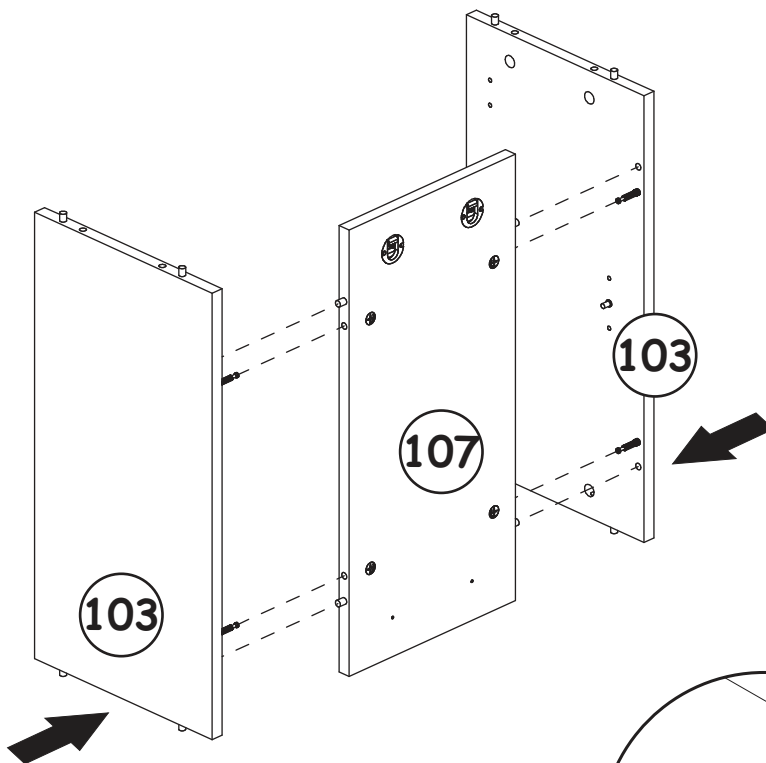
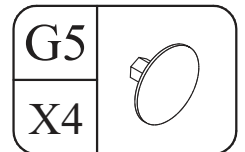
1



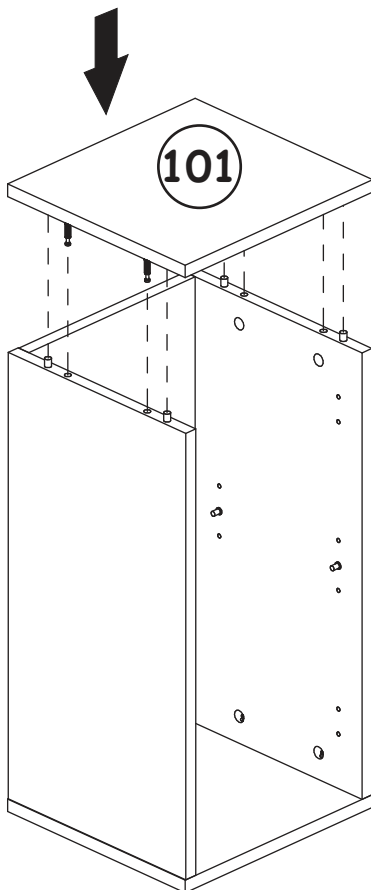
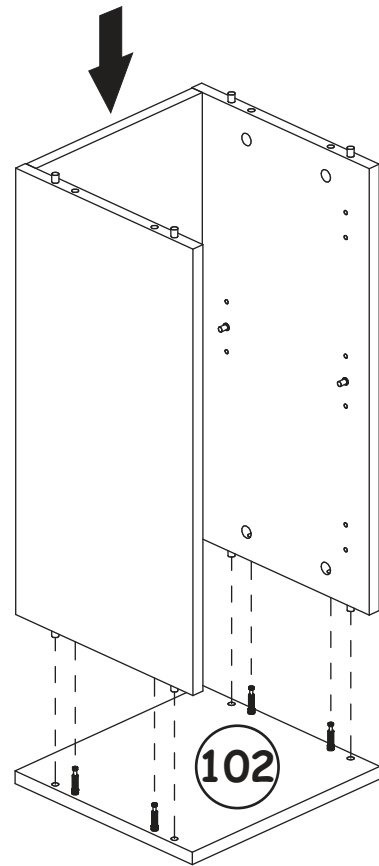
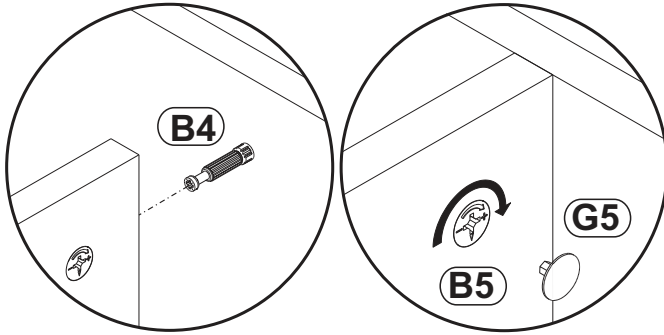
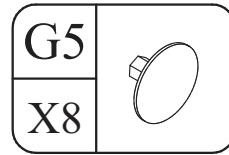
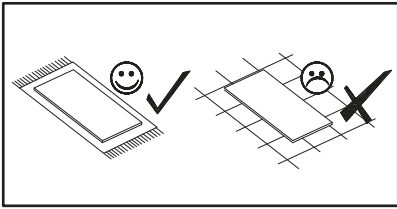
2



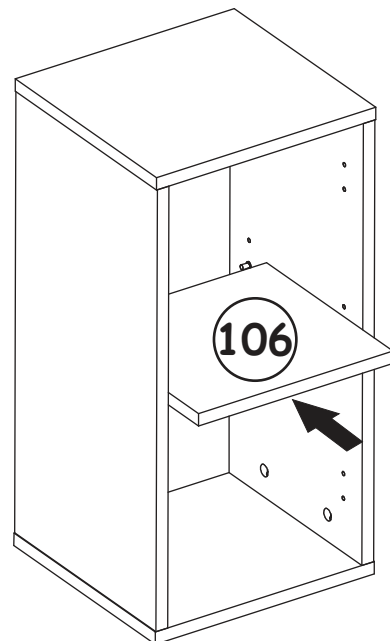
3



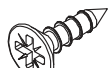
4





5

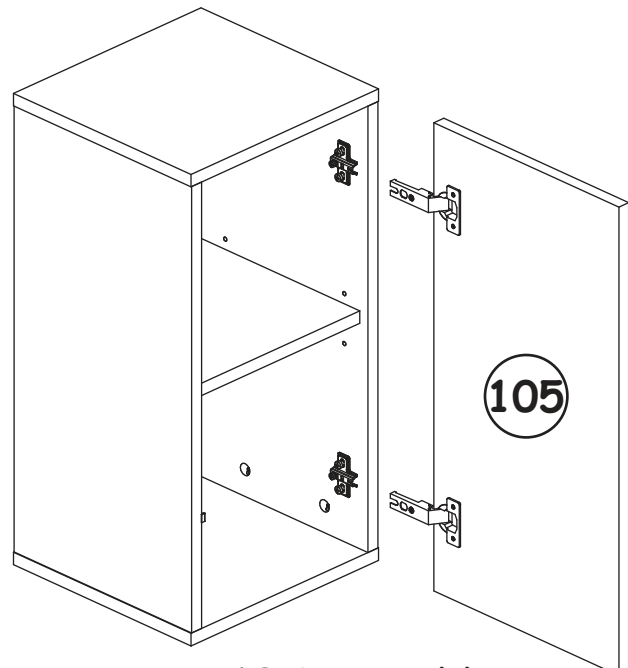
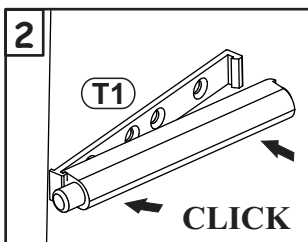
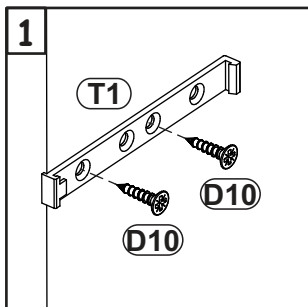
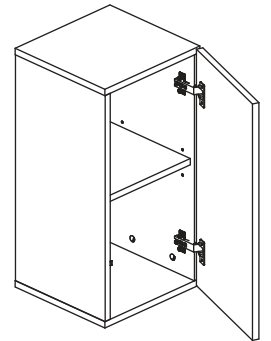
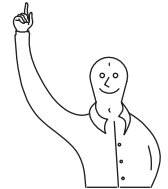
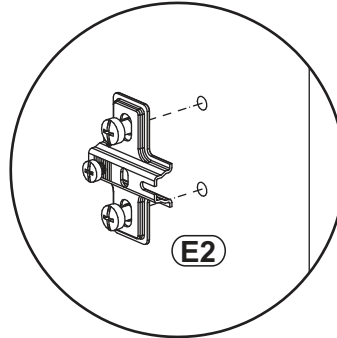
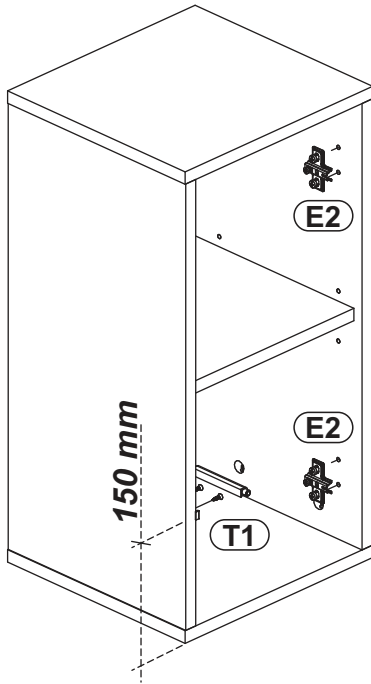


6

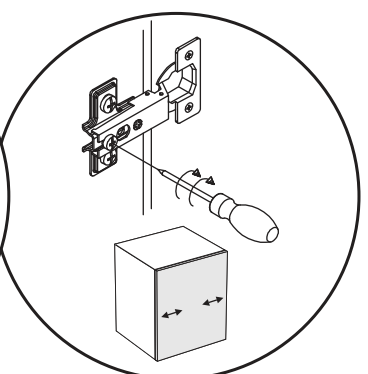
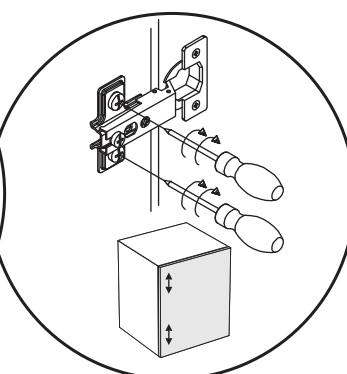
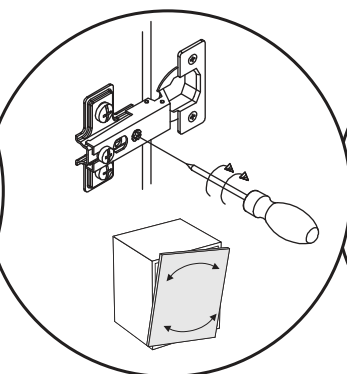
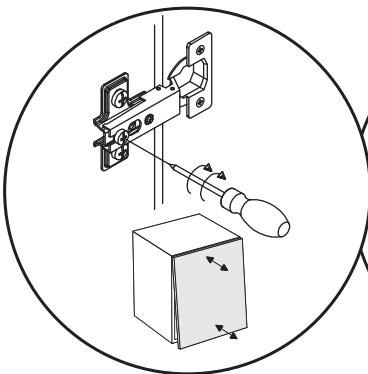
D10	
X2	USØ3,5x13

E2	
x2	H=0

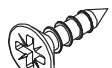
T1	
x1	

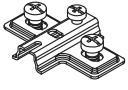



105 - 28 ** WS WS6-F

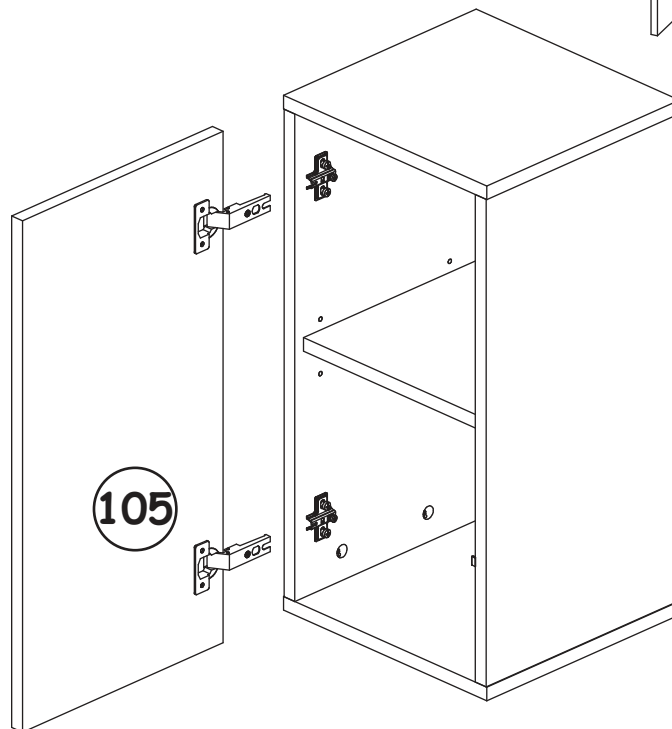
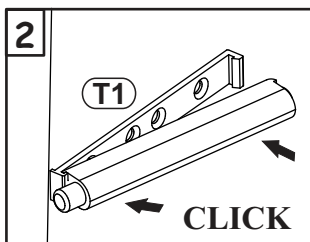
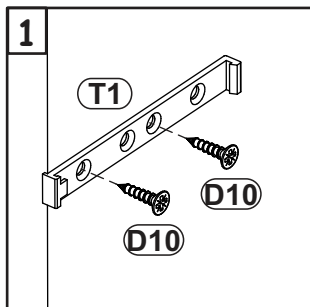
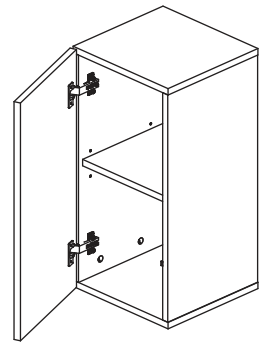
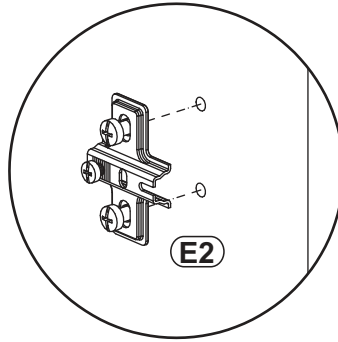
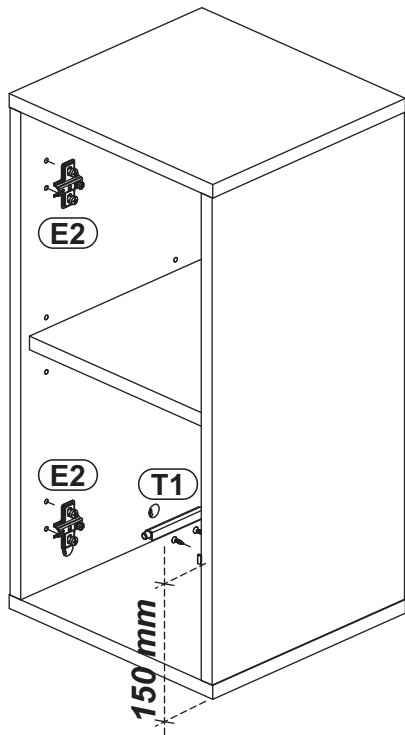


7

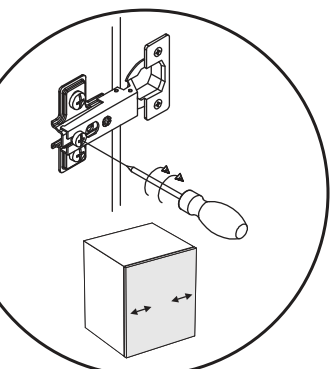
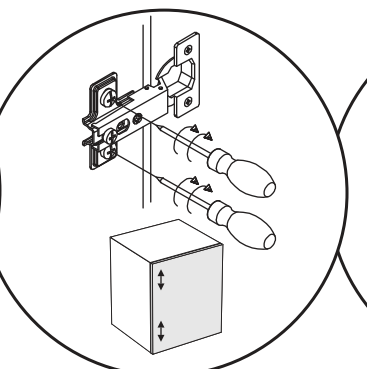
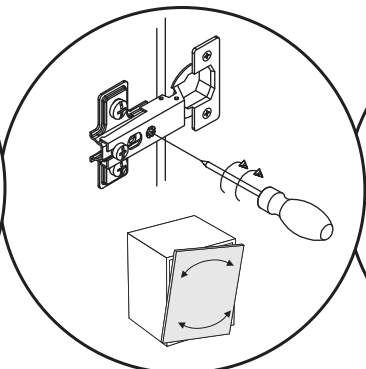
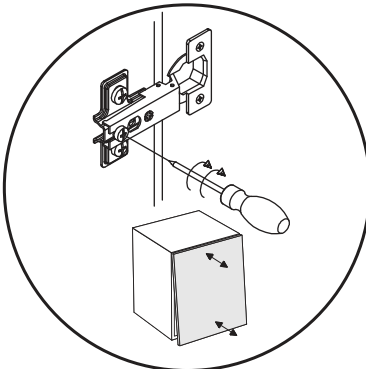
D10	
X2	USØ3,5x13

E2	
x2	H=0

T1	
x1	



105 - 28 ** WS WS6-F



8

