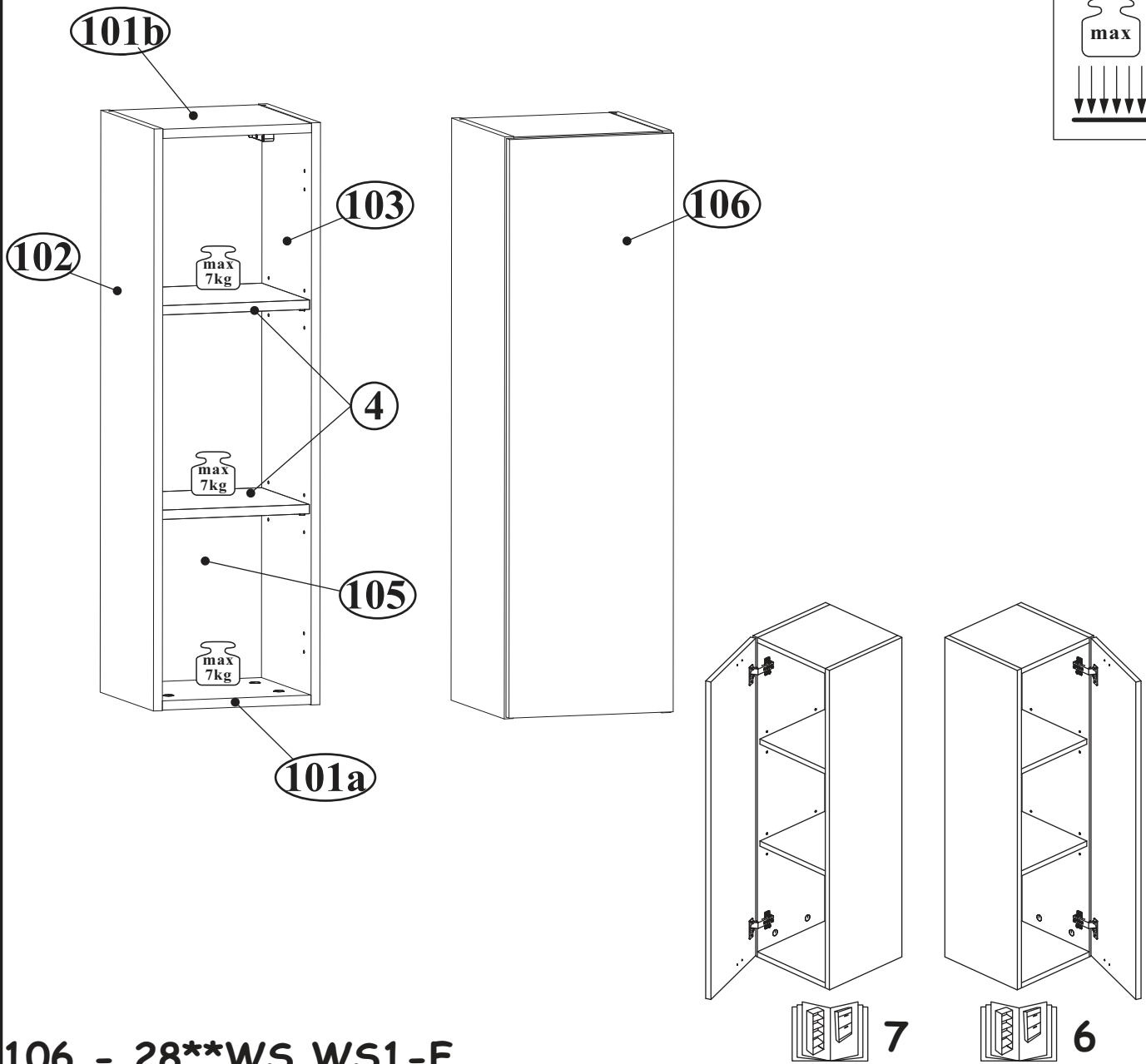
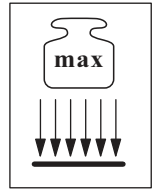
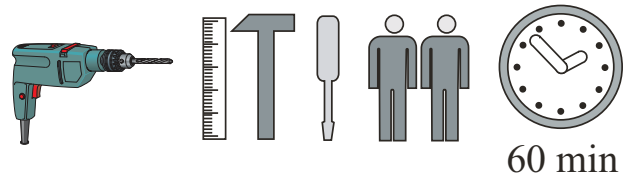


SOMERO 28 __ WS SPW1

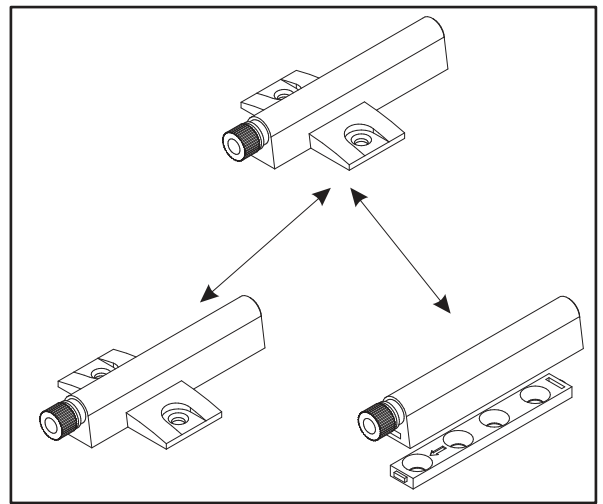
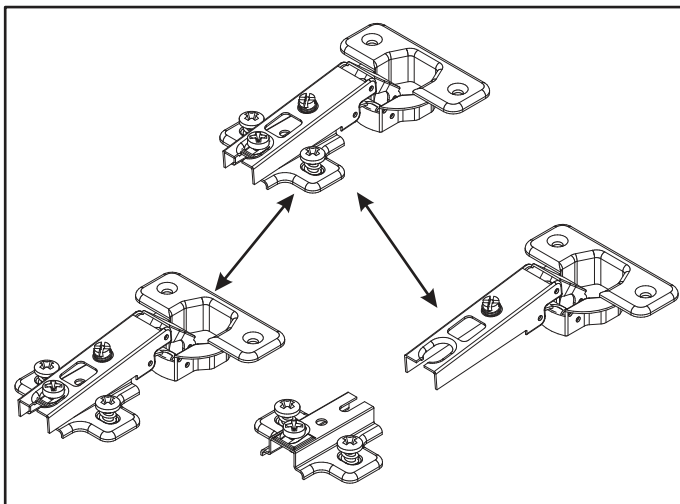
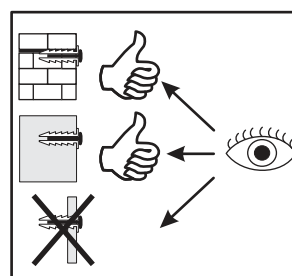
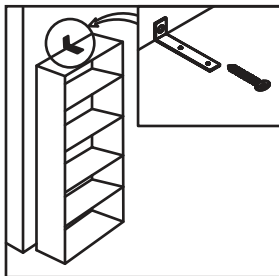
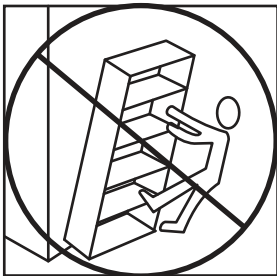
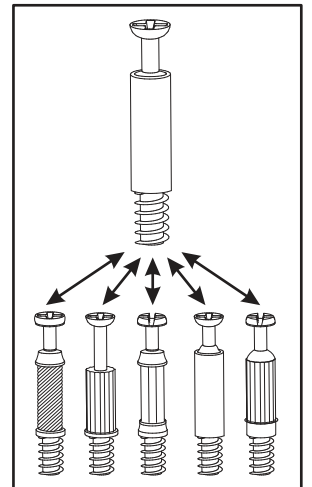
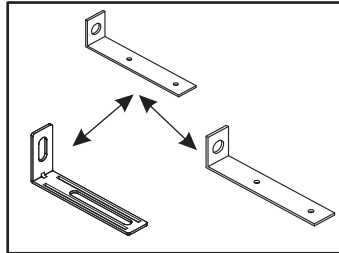
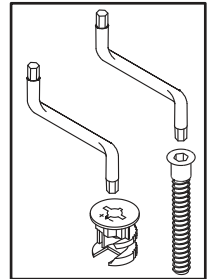
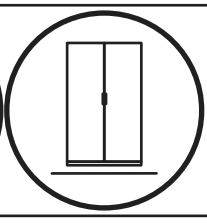
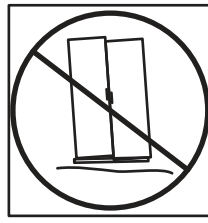
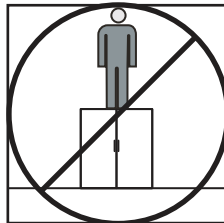
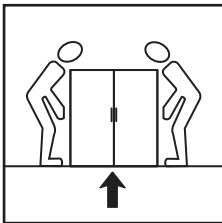
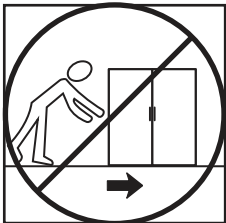
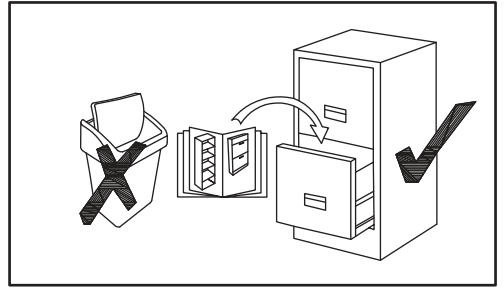
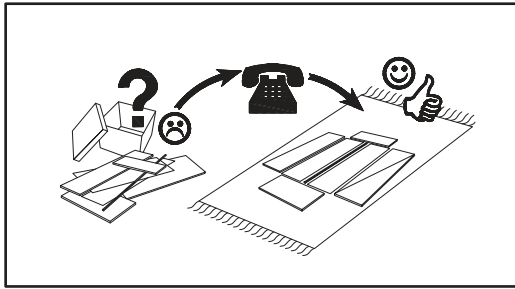
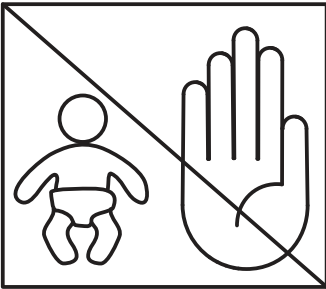
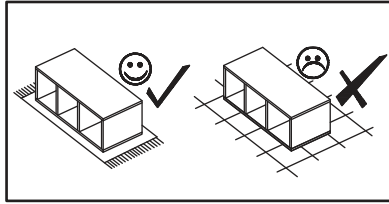
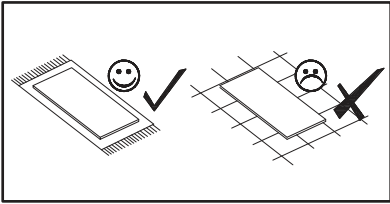
wuun
living

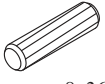
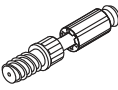
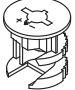

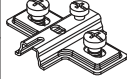
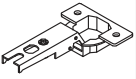

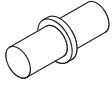
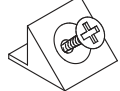
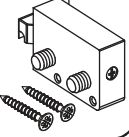
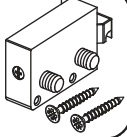


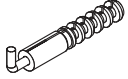


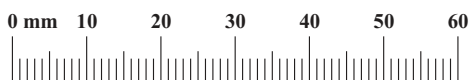
106 - 28WS WS1-F**



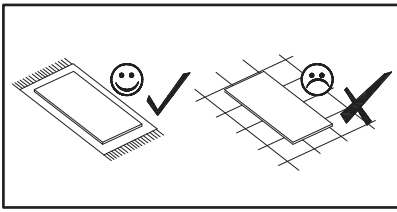
NO	DIM.			COL-NO	QTY
101a	268	286	16	1	1
101b	268	286	16	1	1
102	1002	286	16	1	1
103	1002	286	16	1	1
4	268	256	16	1	2
105	980	280	3	1	1
106	998	298	16	1	1



A1 x8  ø8x36	B4 x8 	B5 x8  ø15x12	G5 x8 	E2 x2  H=0	E21 x2  Ø35 H=0
T1 x1 	G7 x8 	S1 x10 	ZXL x1 	ZXP x1 	D10 x6  USØ3,5x13
G2 x1 	KR2 x2 				

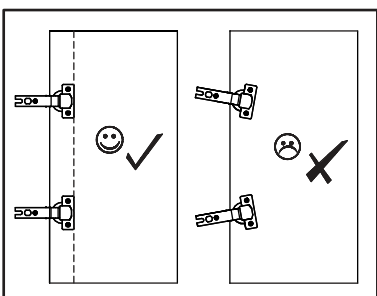
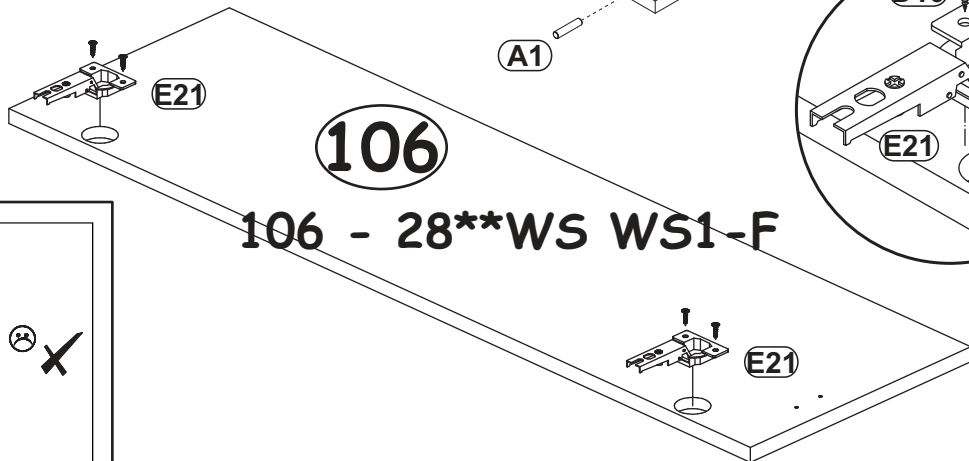
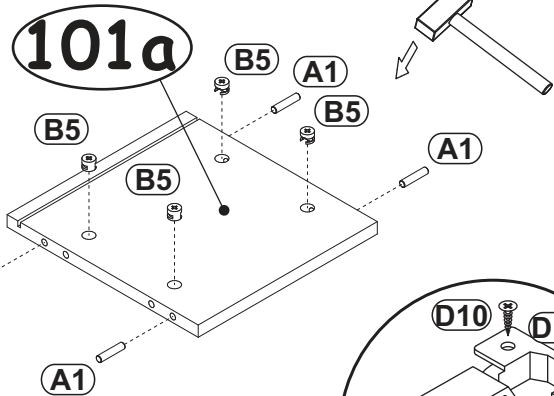
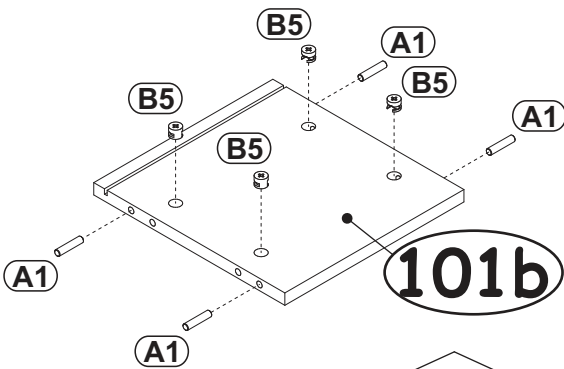
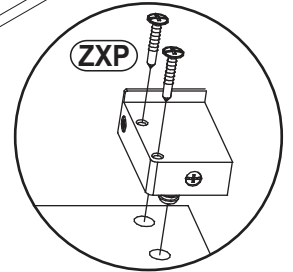
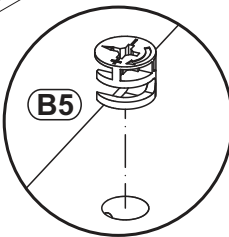
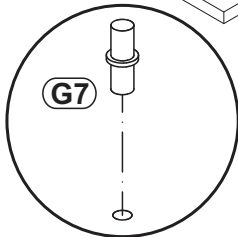
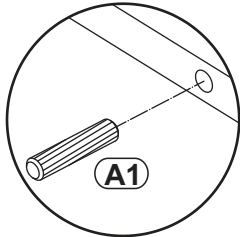
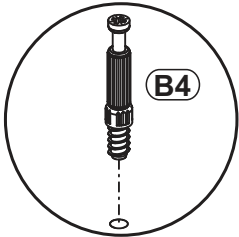
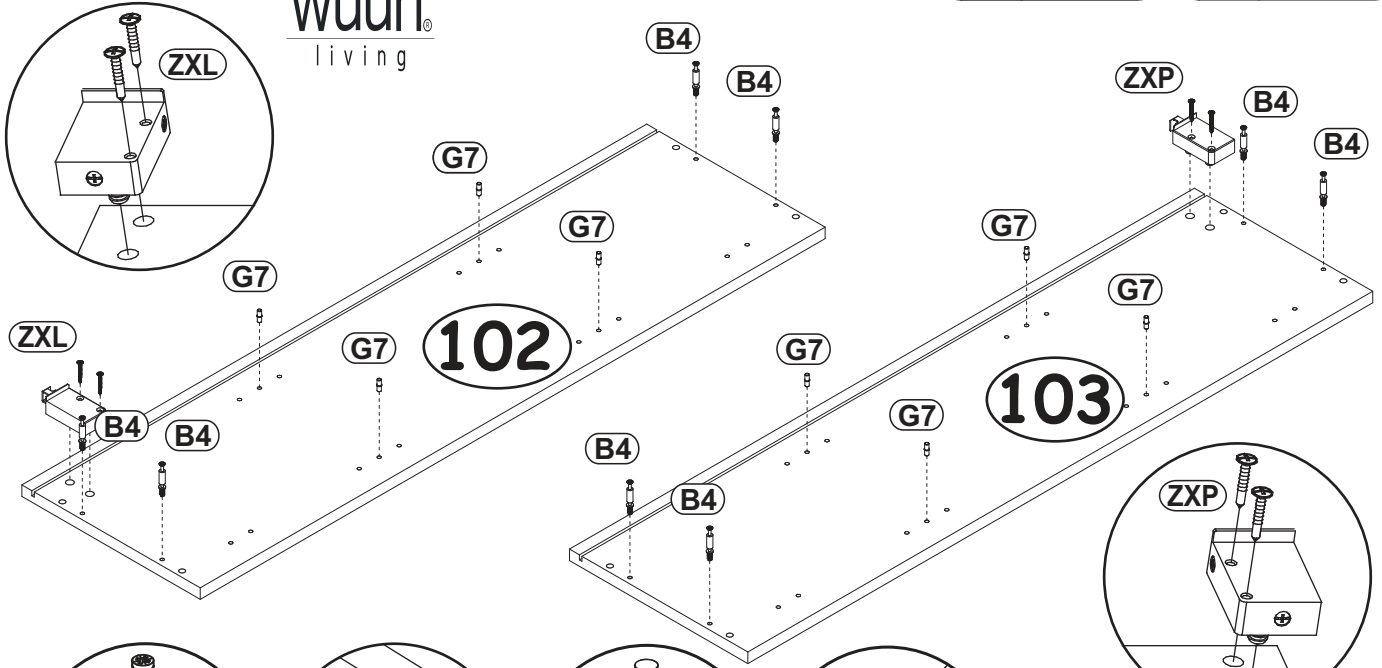


1




E21 x2 Ø35 H=0	ZXP x1	B5 x8 ø15x12	B4 x8
D10 x4 USØ3,5x13	ZXL x1	G7 x8	A1 x8 ø8x36

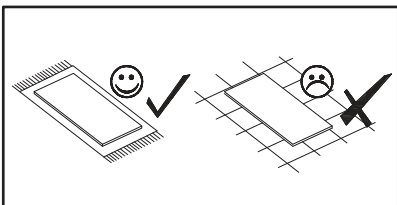
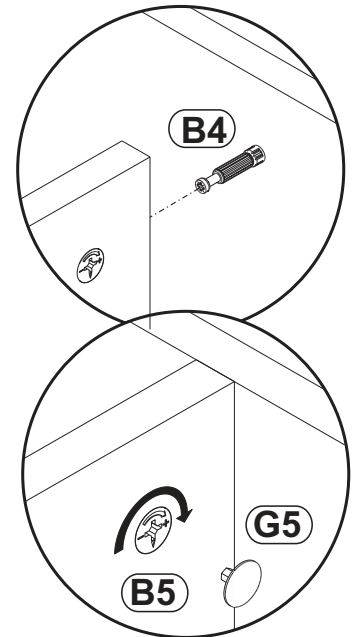
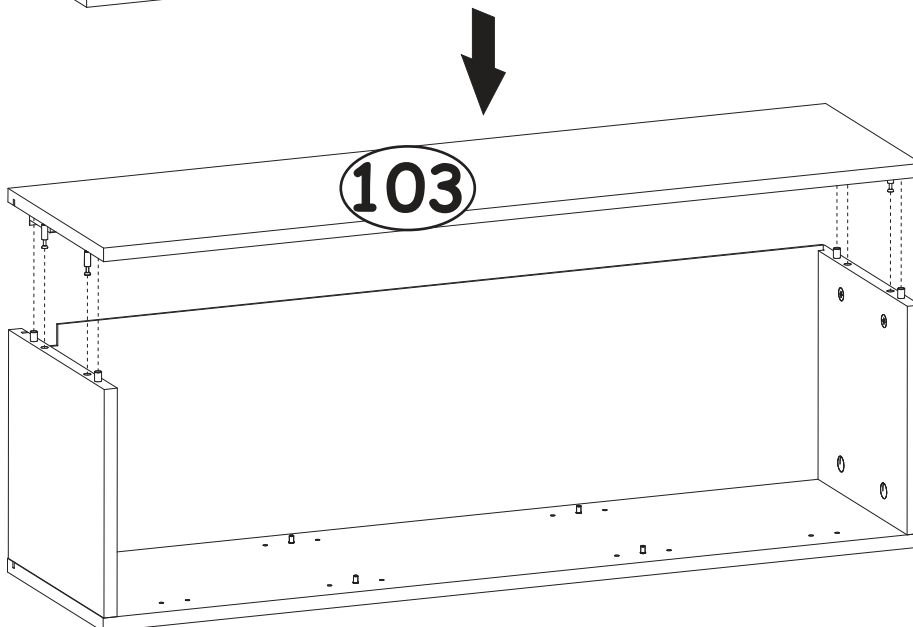
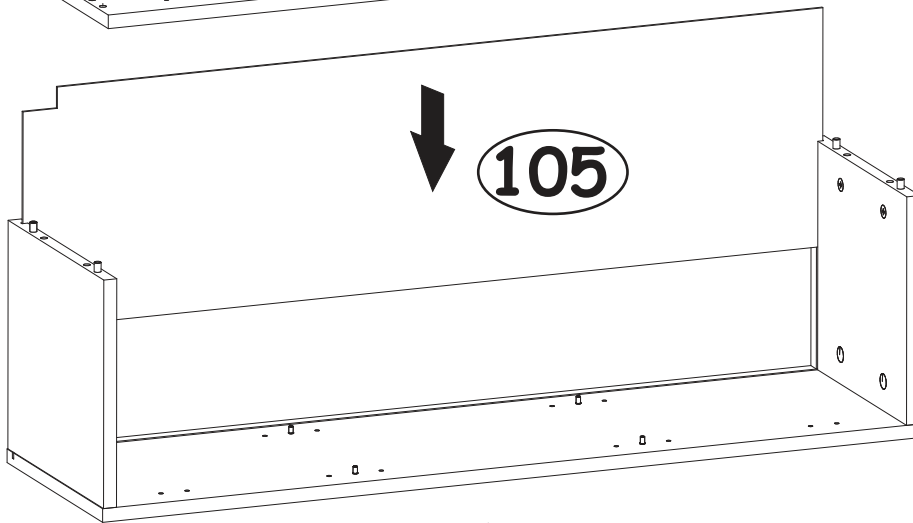
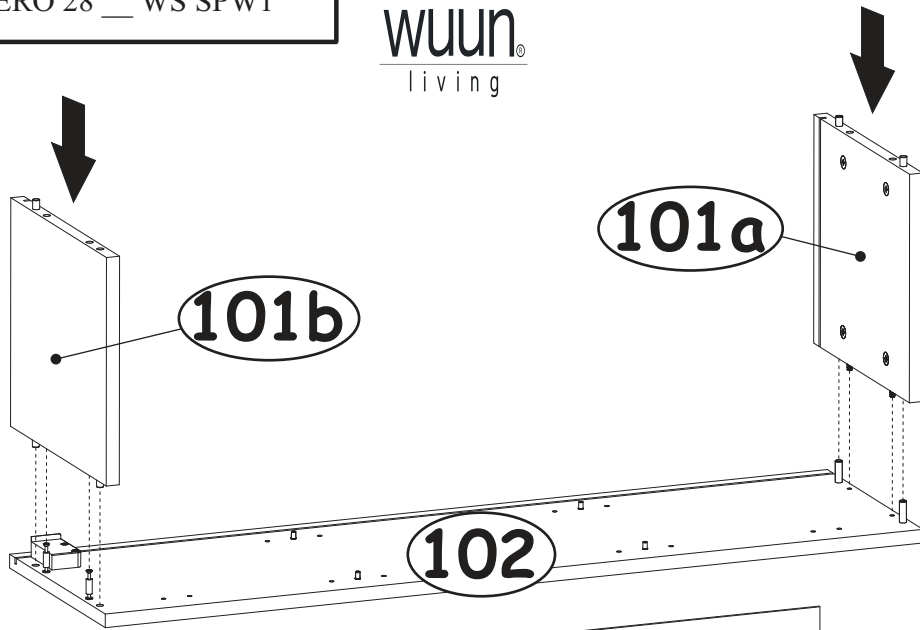
wuun®
living



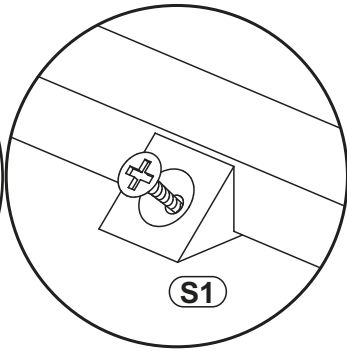
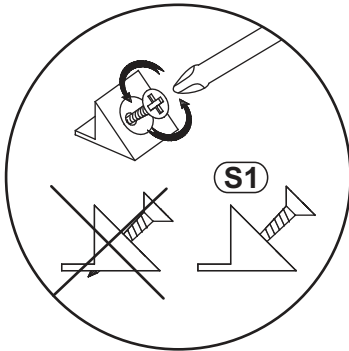
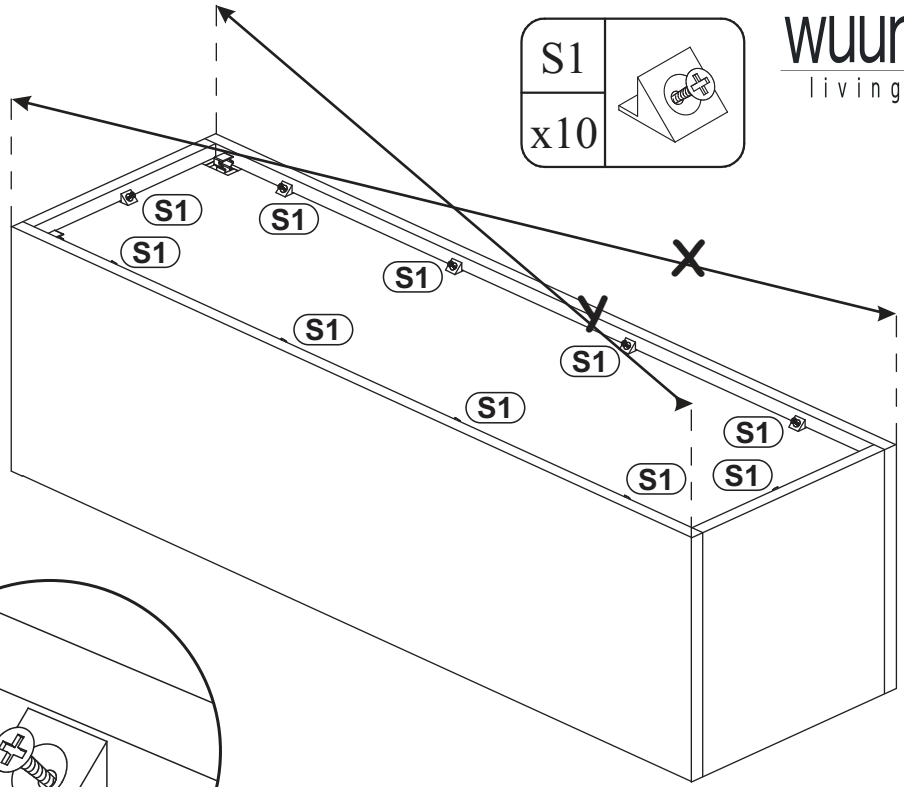
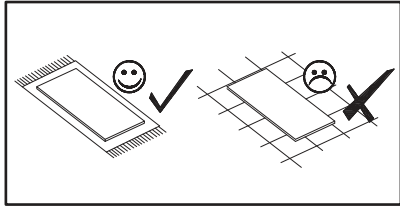
106 - 28**WS WS1-F

G5	
x8	

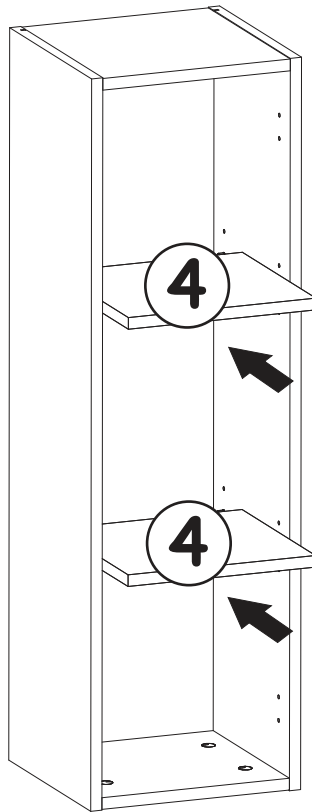
2

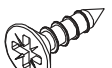


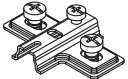
3




4

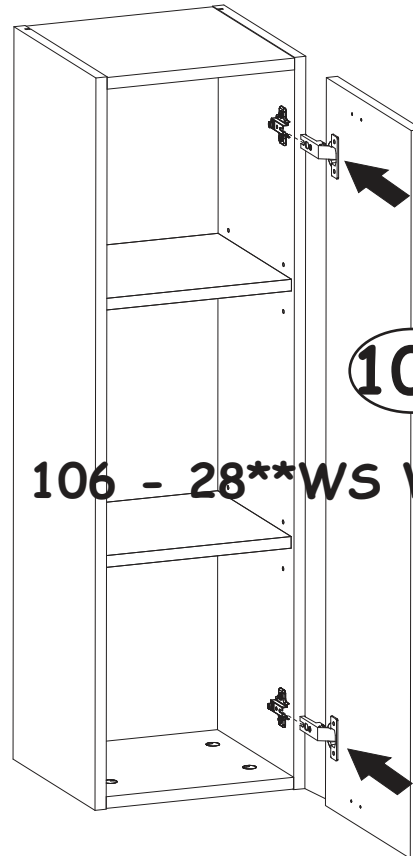
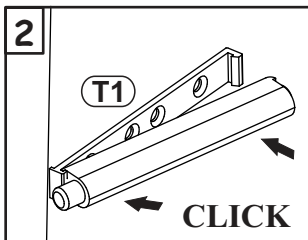
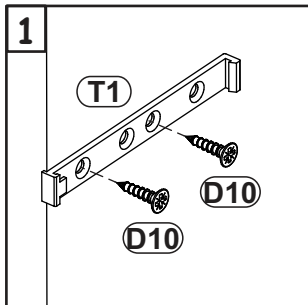
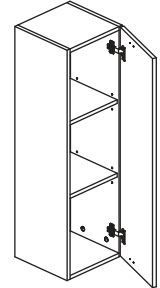
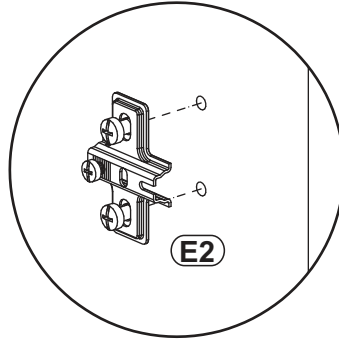
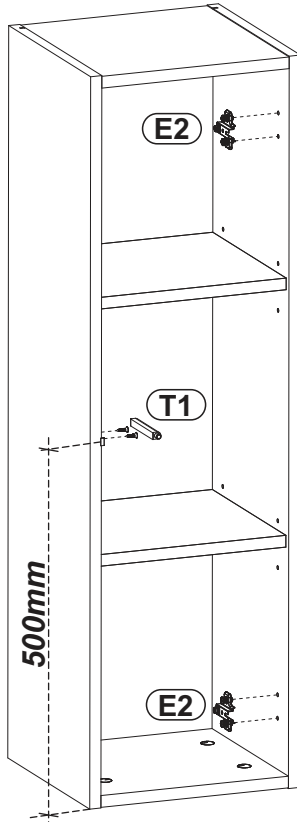


D10	
x2	USØ3,5x13

E2	
x2	H=0

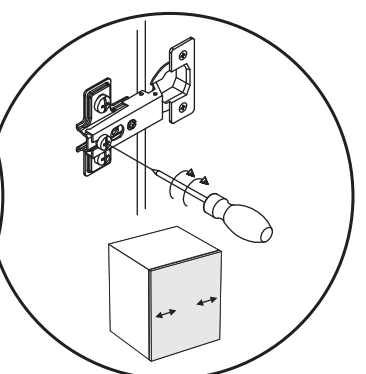
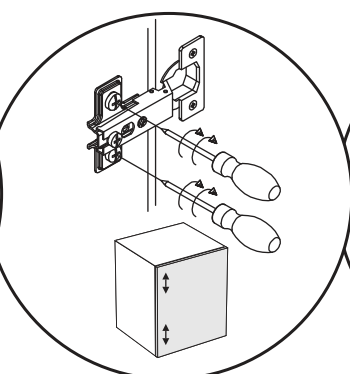
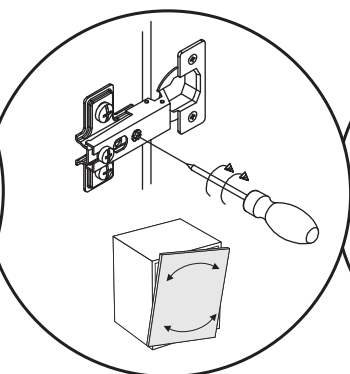
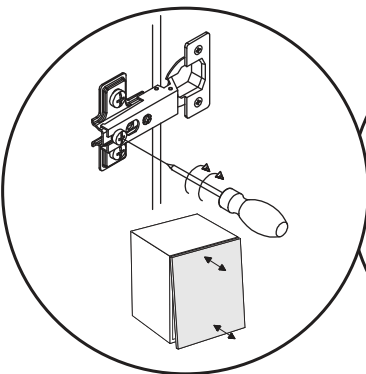
T1	
x1	

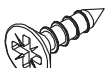
5





106

106 - 28**WS WS1-F

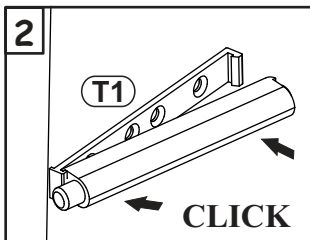
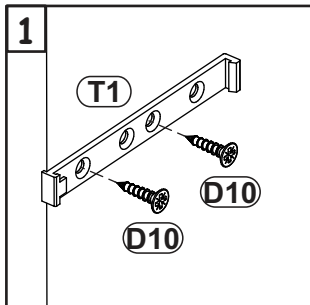
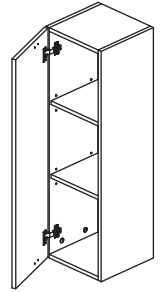
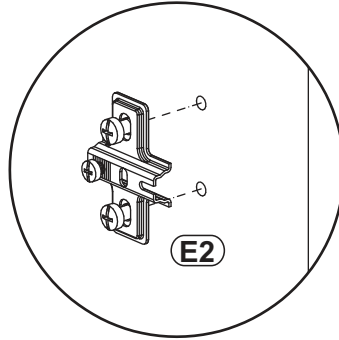
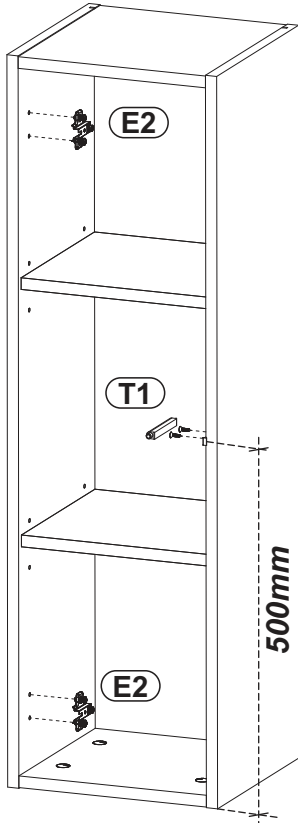


D10	
x2	USØ3,5x13

E2	
x2	H=0

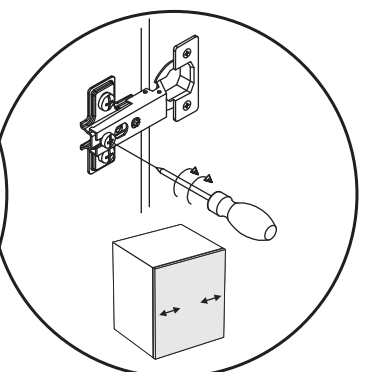
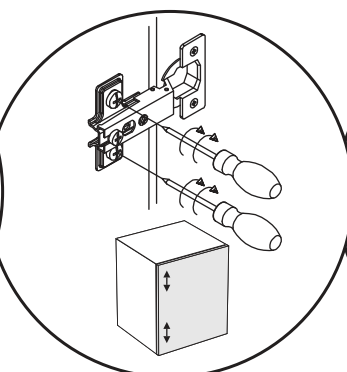
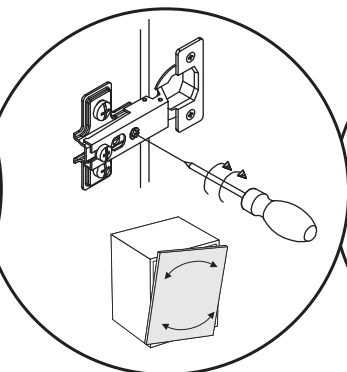
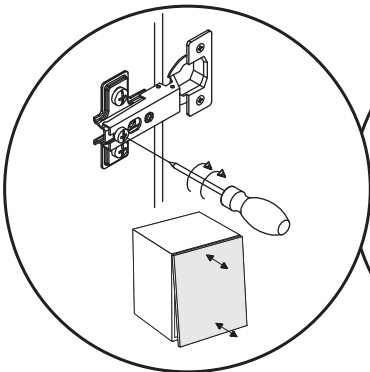
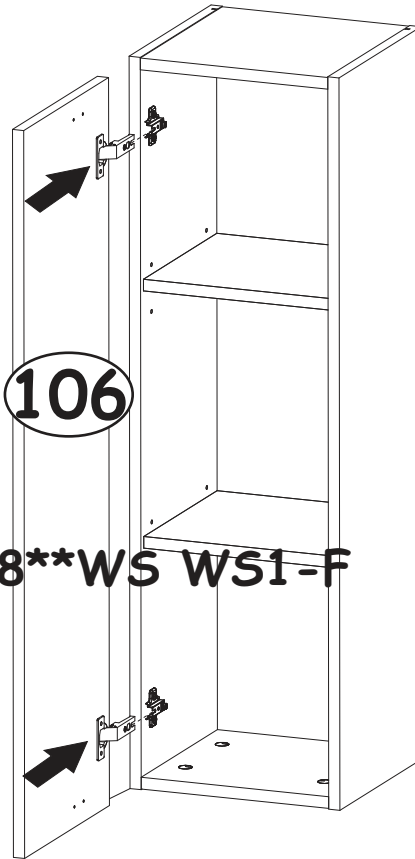
T1	
x1	

6



106

106 - -28**WS WS1-F



7

